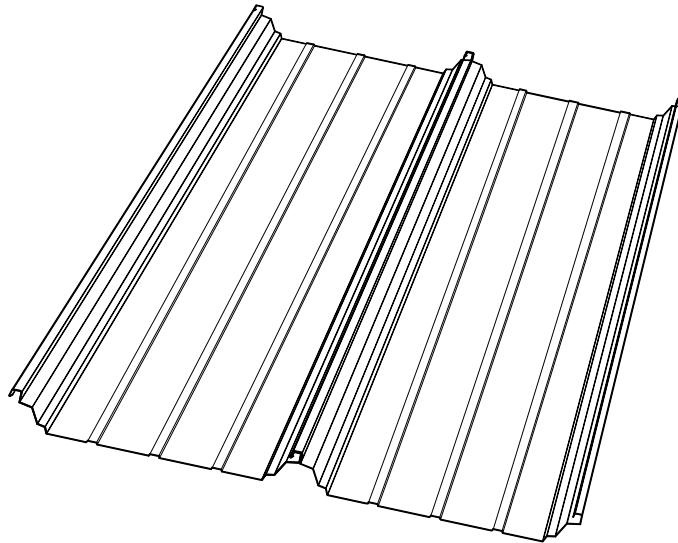




BIGBEE STEEL BUILDINGS, INC.
2705 Avalon Avenue
Muscle Shoals, AL 35661

BigbeeLok-324
Standing Seam Roof System
ARCHITECTURAL DETAILS



Phone: 256-383-7322 or 800-633-3378
Fax: 256-381-9669
Web: www.bigbee.com

Revised: July 23, 2009



Index

Details Index..... 1

Detail Locator..... 2

Roof Panel Sections..... 3

Eave Section - Eave Trim..... 4

Eave Section - Eave Gutter..... 5

Roof Panel Endlap Section..... 6

Ridge Section..... 7

High Eave Section - High Eave Trim..... 8

High Eave Section - Transition Flashing..... 9

Starting Rake Section - Rake Trim..... 10

Finish Rake Section - Rake Trim..... 11

Rake Section - Transition Flashing..... 12

Hip Section..... 13

Valley Section..... 14

Valley Gutter Section..... 15

Interior Eave Gutter Section..... 16

Roof Sections - Fiberglass Insulation..... 17

Roof Sections - Fiberglass Insulation With Thermal Spacers..... 18

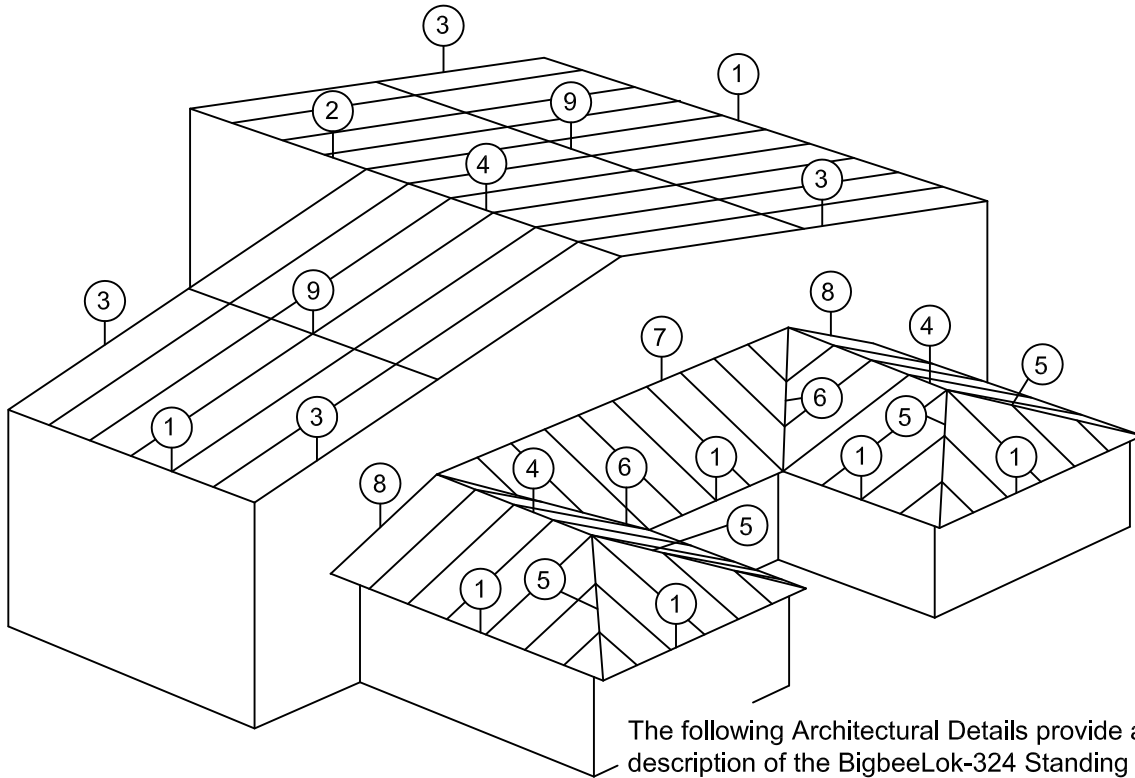
Roof Sections - Rigid Foam Insulation..... 19

Details Index



BigbeeLOK-324 Roof System Architectural Details

PAGE: 2
REVISION NO: 2
DATE: July 2009



* Oil-Canning is a natural occurrence in metal panels that does not affect the finish or structural integrity of the panel and is there for NOT a cause for rejection.

The following Architectural Details provide a graphic description of the BigbeeLok-324 Standing Seam Roof System and its standard applications. Use these details to determine the applications required for your specific project.

DETAIL LEGEND	
①EAVE
②HIGH EAVE
③RAKE
④RIDGE
⑤HIP
⑥VALLEY
⑦HIGH EAVE TRANSITION
⑧RAKE TRANSITION
⑨ROOF PANEL ENDLAP

These standard application details are based on typical and proven designs utilizing gasket type sealed assemblies to provide more positive weather resistance over a broad range of conditions, including low pitched roofs. It is the project designer's responsibility to assure that the specified application is appropriate for the roof's intended use.

These details show generic roof structural members, roof insulation and adjacent construction for simplicity of presentation. These details may be modified to accommodate clarification of structural members, roof insulation, trim profile, tie-in to adjacent construction etc.

The basic function of the details, such as roof panel assembly and fit-up to closures and flashing, sealing and attachments etc. cannot be modified. All applications, not in accordance to these details, require approval by the Bigbee Steel Buildings, Inc. Customer Service Department.

In case of conflict between these Architectural details and the project's erection drawings, the erection drawings will take precedence.

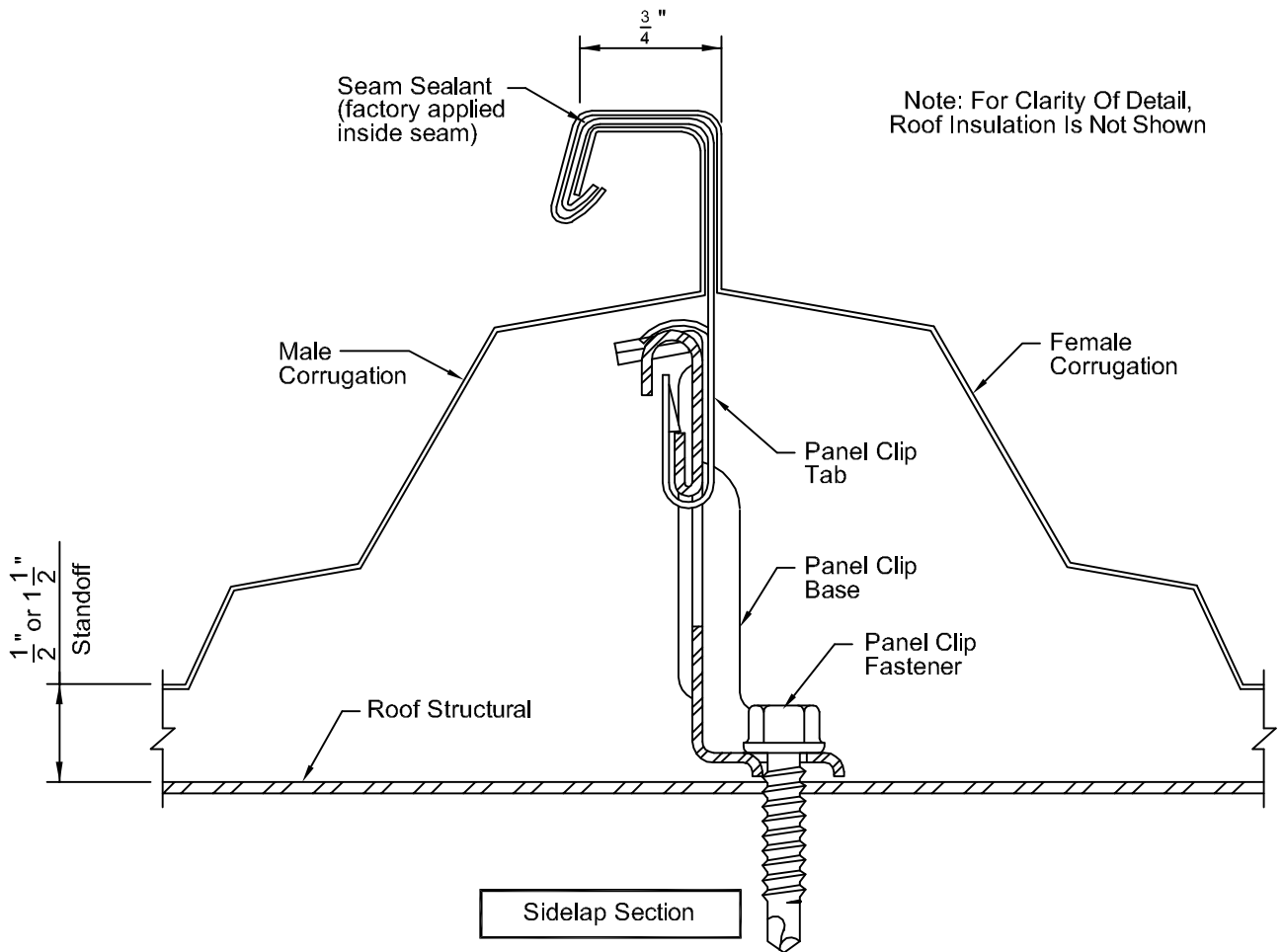
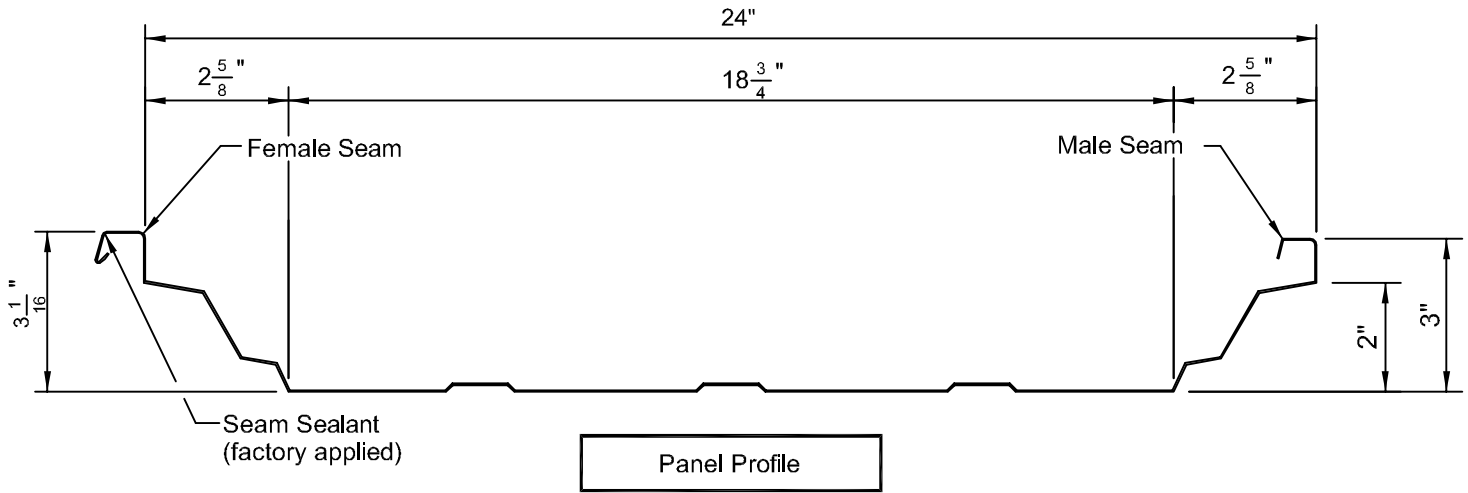
Detail Locator



BigbeeLOK-324 Roof System Architectural Details

PAGE: 3.0

REVISION NO: 2
DATE: July 2009

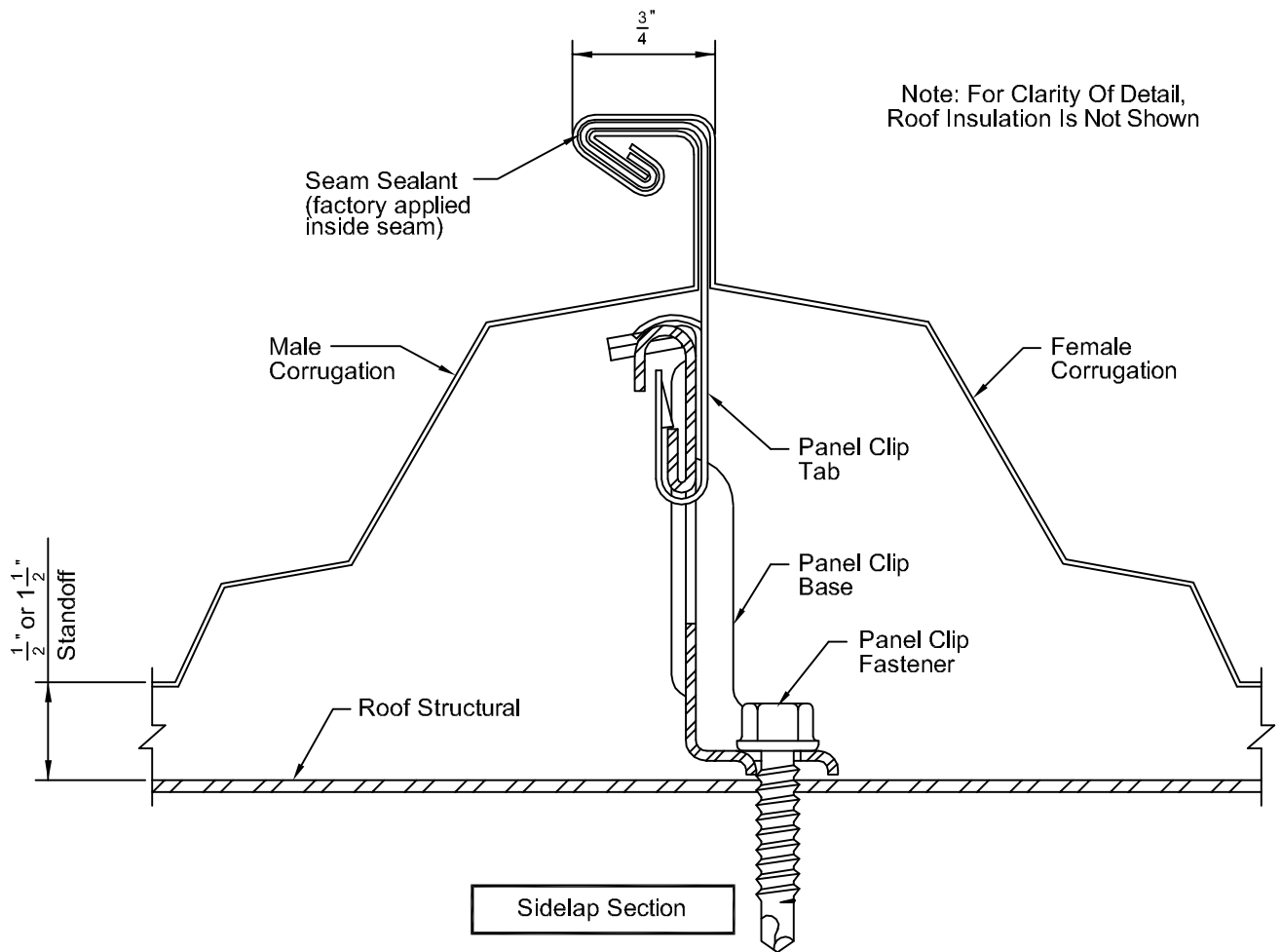
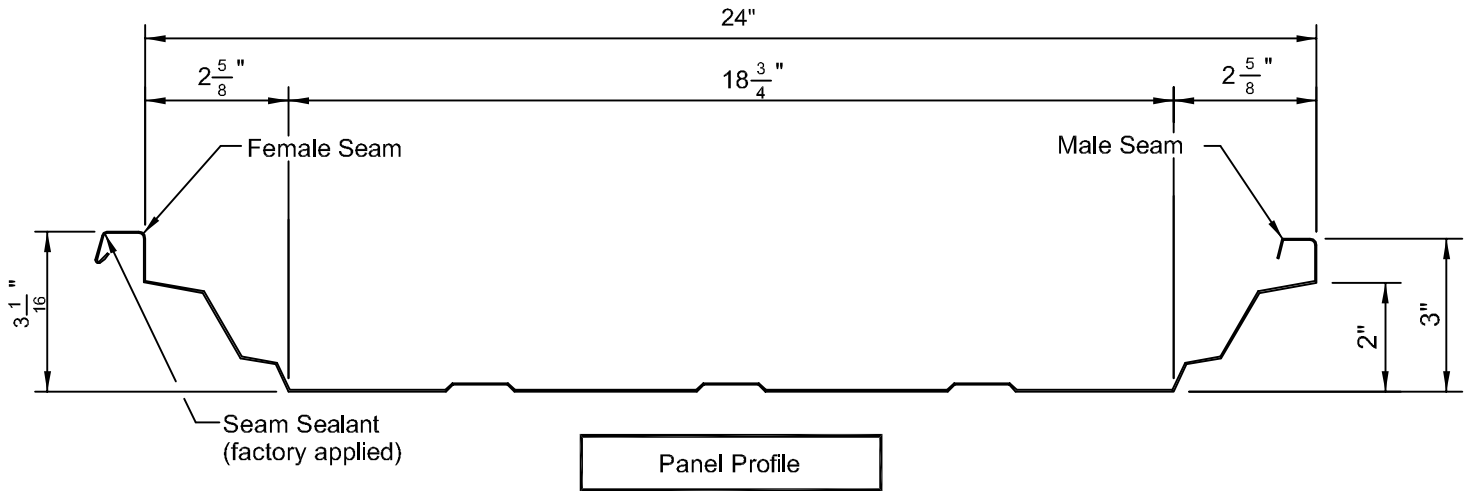


Roof Panel Sections-RollLok™ Seam



BigbeeLOK-324 Roof System Architectural Details

PAGE: 3.1
REVISION NO: 2
DATE: July 2009



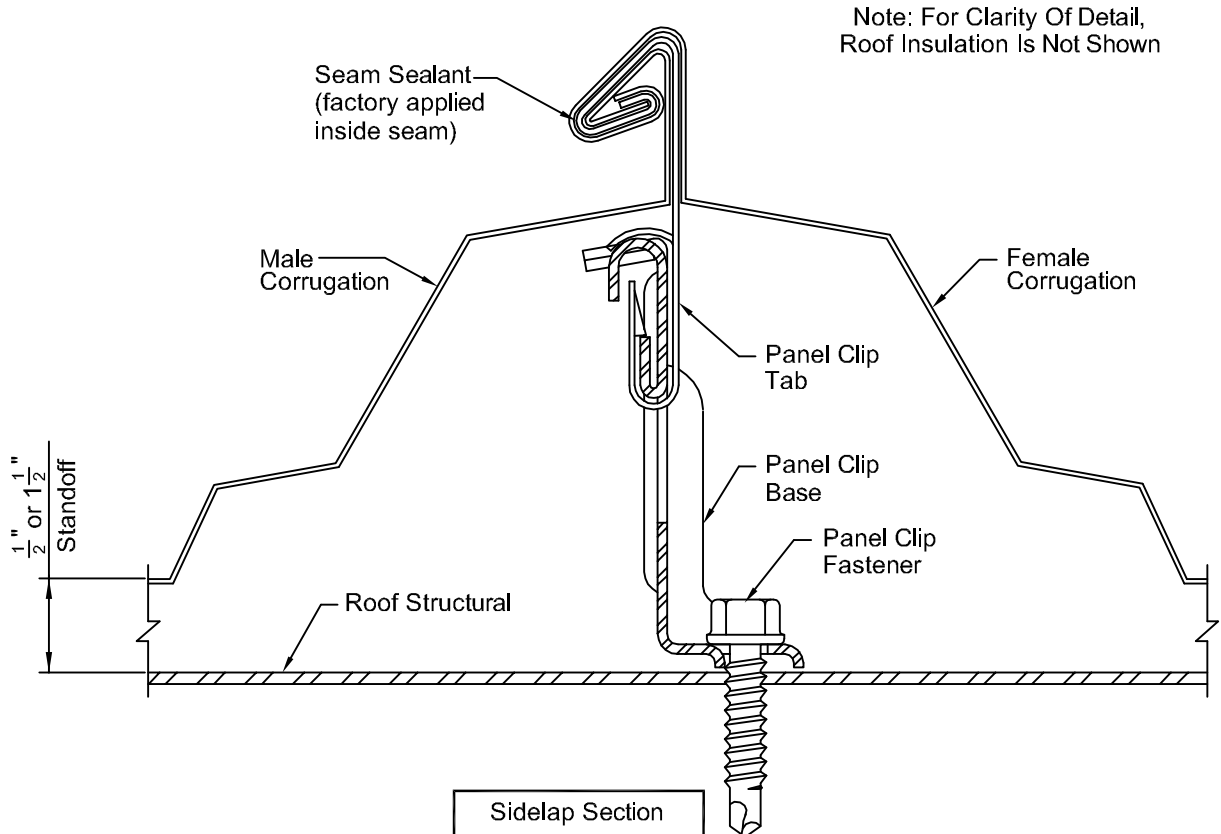
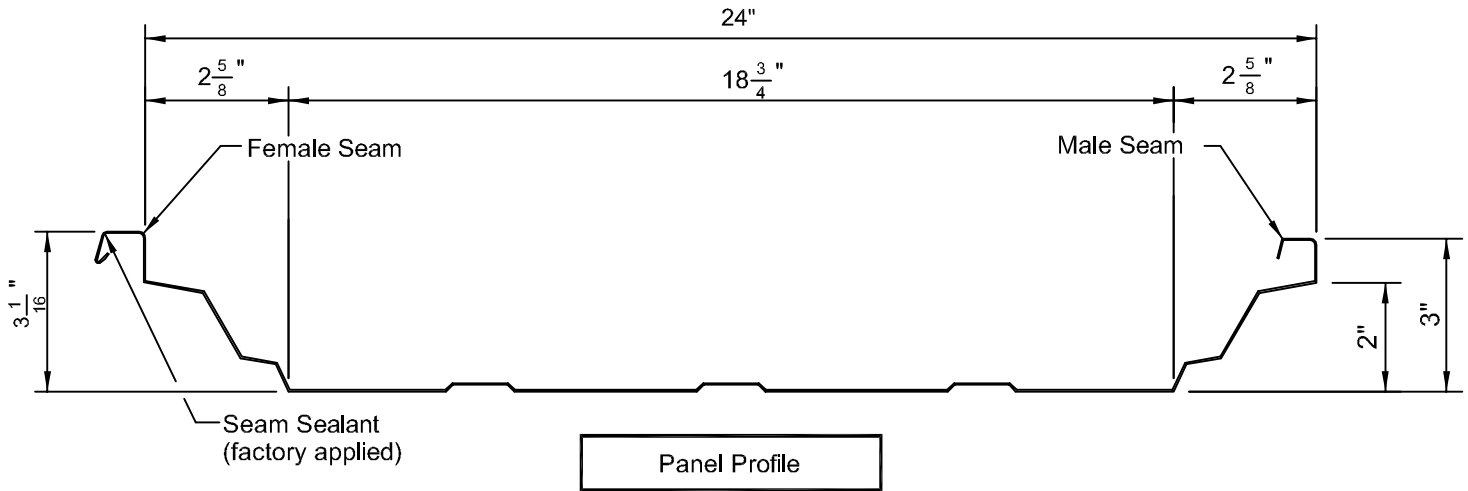
Roof Panel Sections-TripleLok™ Seam



BigbeeLOK-324 Roof System Architectural Details

PAGE: 3.2

REVISION NO: 2
DATE: July 2009



Roof Panel Sections-QuadLok™ Seam

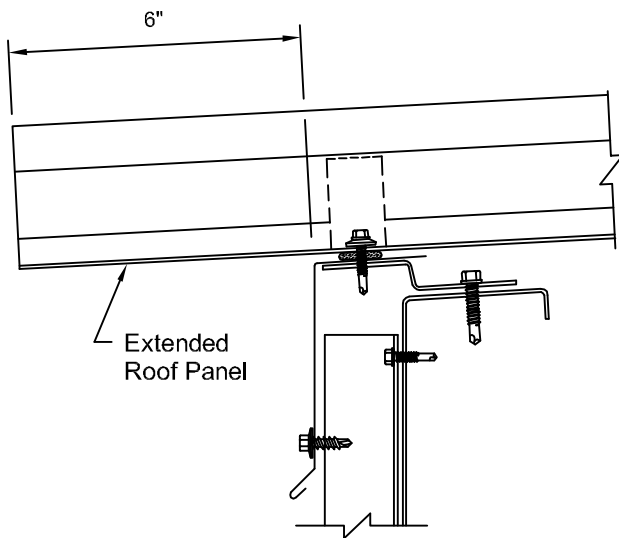
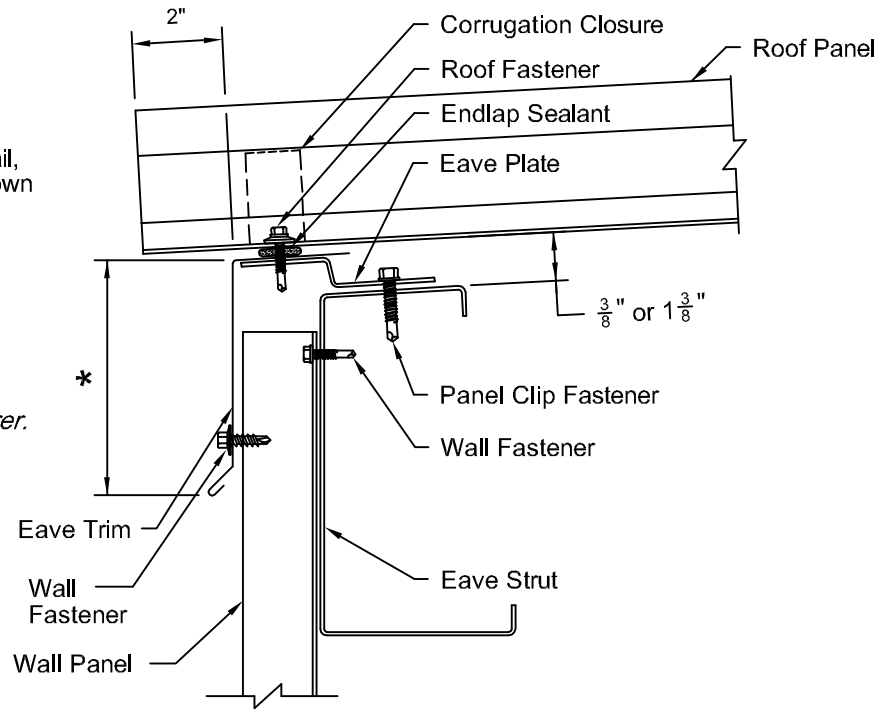


BigbeeLOK-324 Roof System Architectural Details

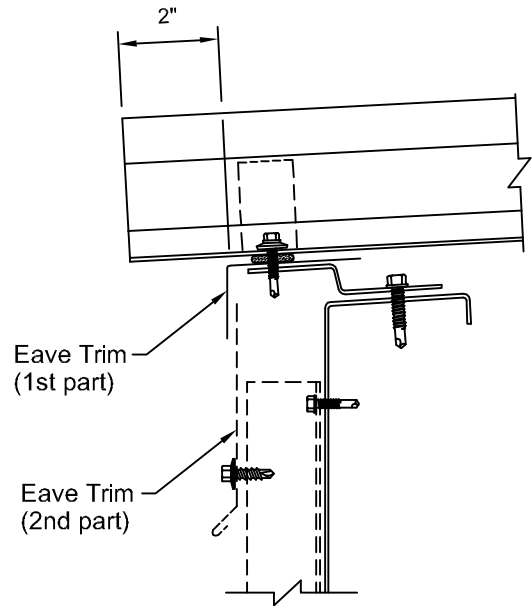
PAGE: 4
REVISION NO: 2
DATE: July 2009

Note: For Clarity Of Detail,
Roof Insulation Is Not Shown

*Determined By Manufacturer.



Alternate Extended Roof



Alternate Two Part Eave Trim (To Allow Installation Of Wall Panel After Roof Is In Place)

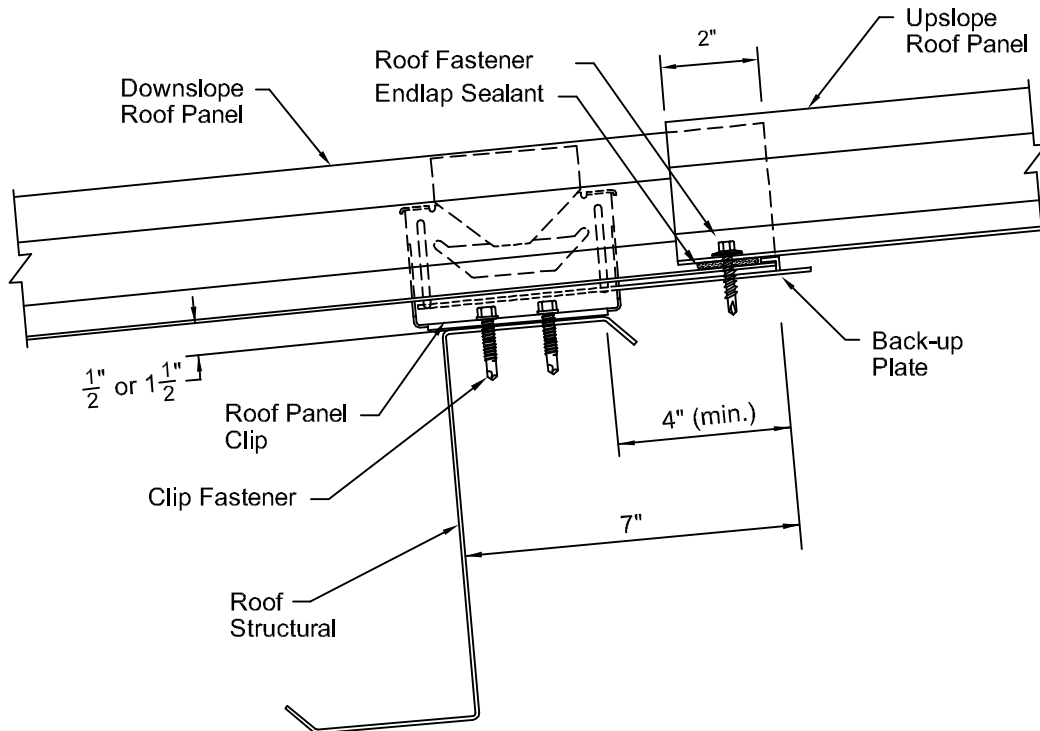
Eave Section - Eave Trim



BigbeeLOK-324 Roof System Architectural Details

PAGE: 6
REVISION NO: 2
DATE: July 2009

Note: For Clarity Of Detail,
Roof Insulation Is Not Shown



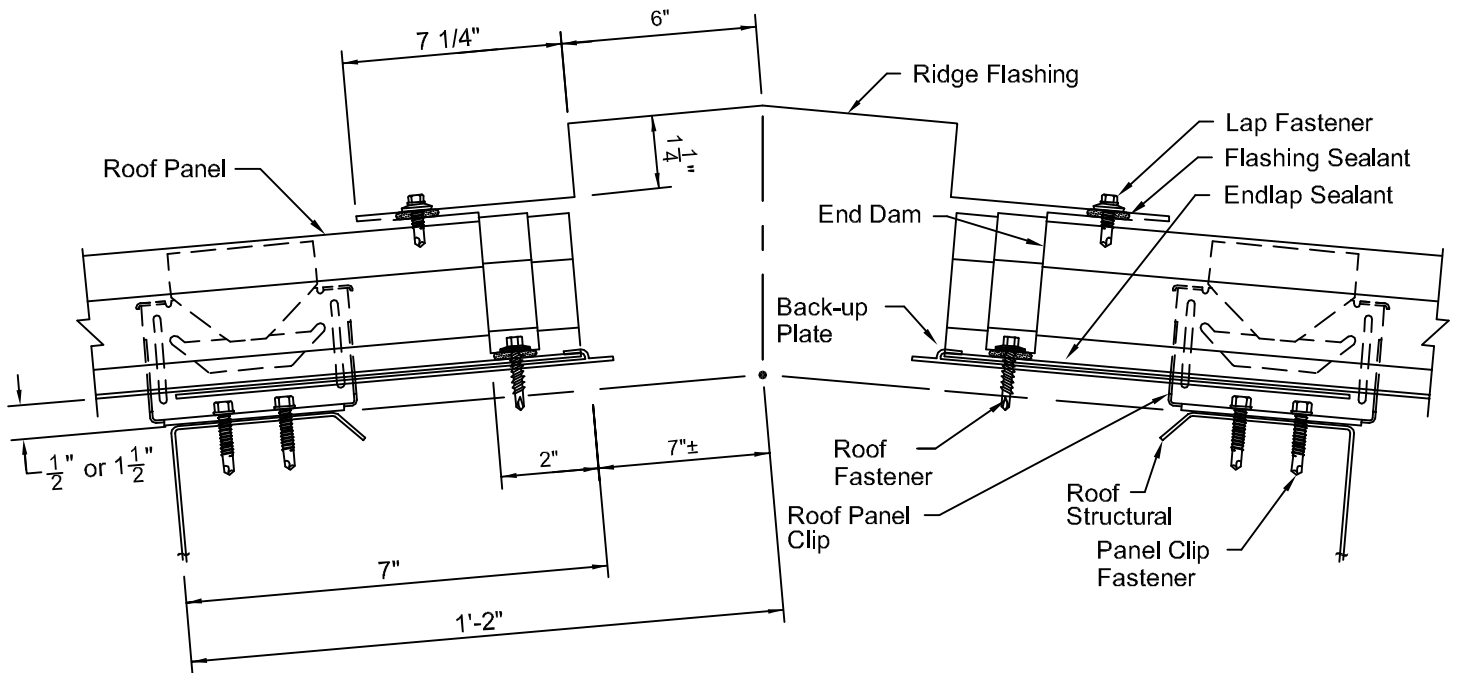
Roof Panel Endlap Section



BigbeeLOK-324 Roof System Architectural Details

PAGE: 7
REVISION NO: 2
DATE: July 2009

Note: For Clarity Of Detail,
Roof Insulation Is Not Shown



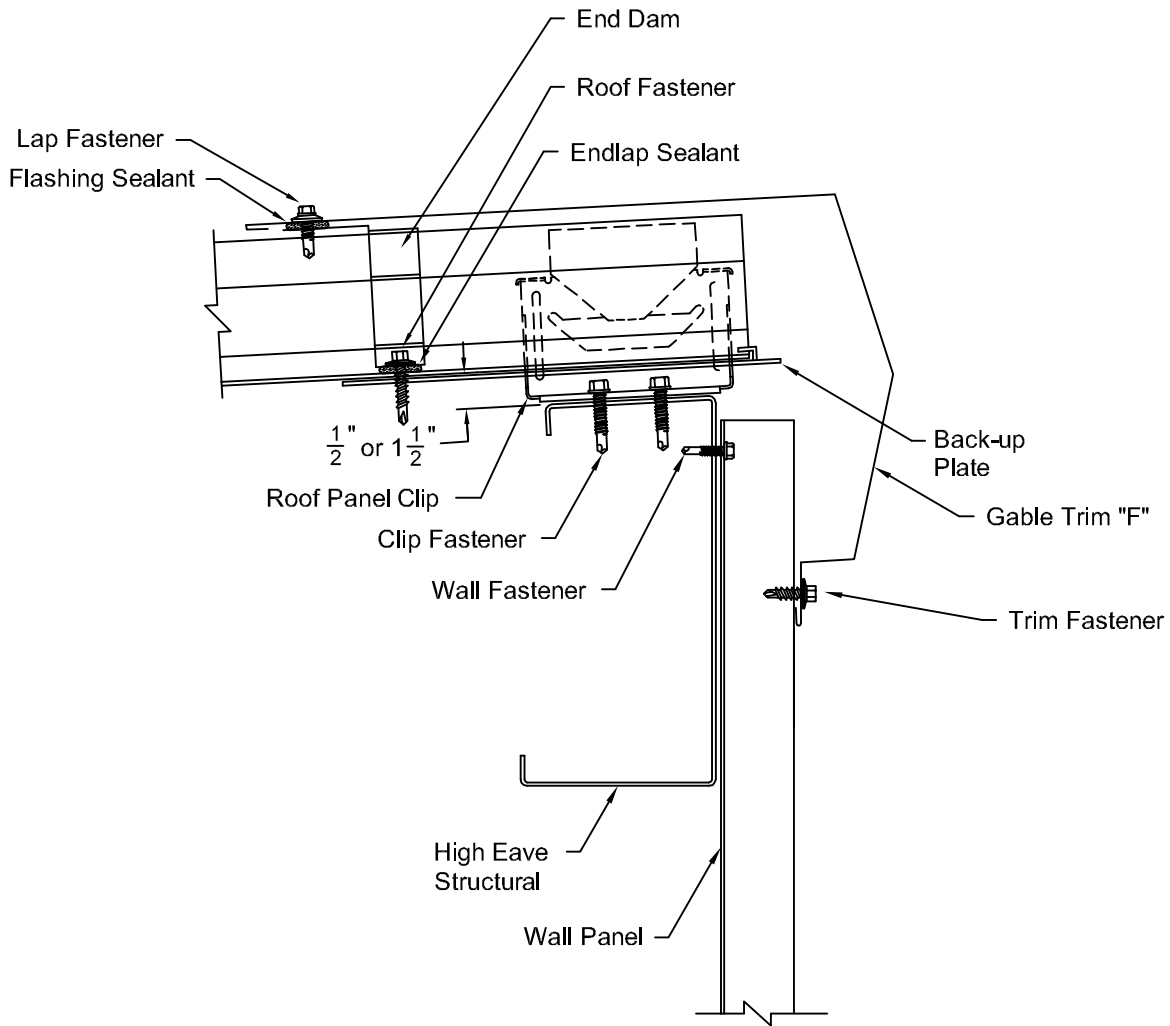
Ridge Section



BigbeeLok-324 Roof System Architectural Details

PAGE: 8
REVISION NO: 2
DATE: July 2009

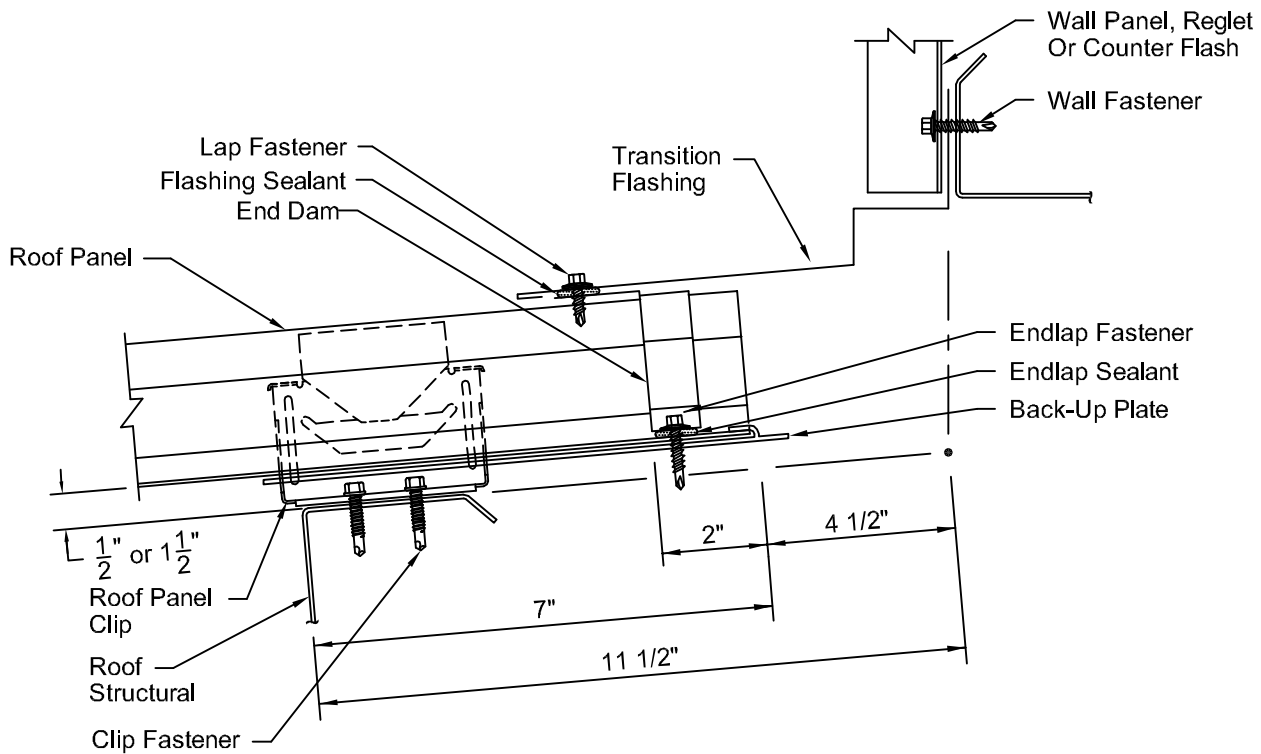
Note: For Clarity Of Detail,
Roof Insulation Is Not Shown



High Eave Section - High Eave Trim



Note: For Clarity Of Detail,
Roof Insulation Is Not Shown

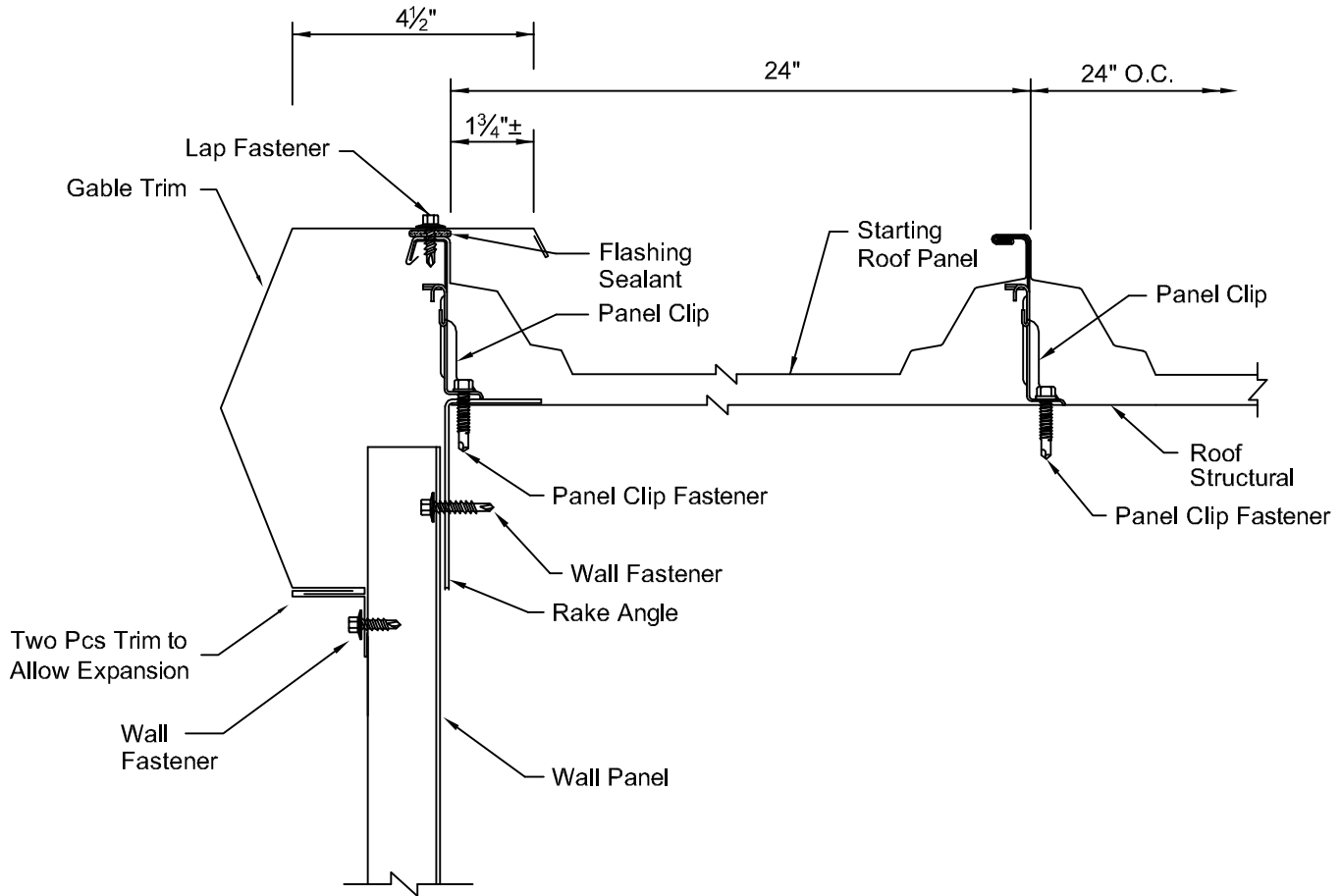


High Eave Section - Transition Flashing



BigbeeLok-324 Roof System Architectural Details

PAGE: 10
REVISION NO: 2
DATE: July 2009



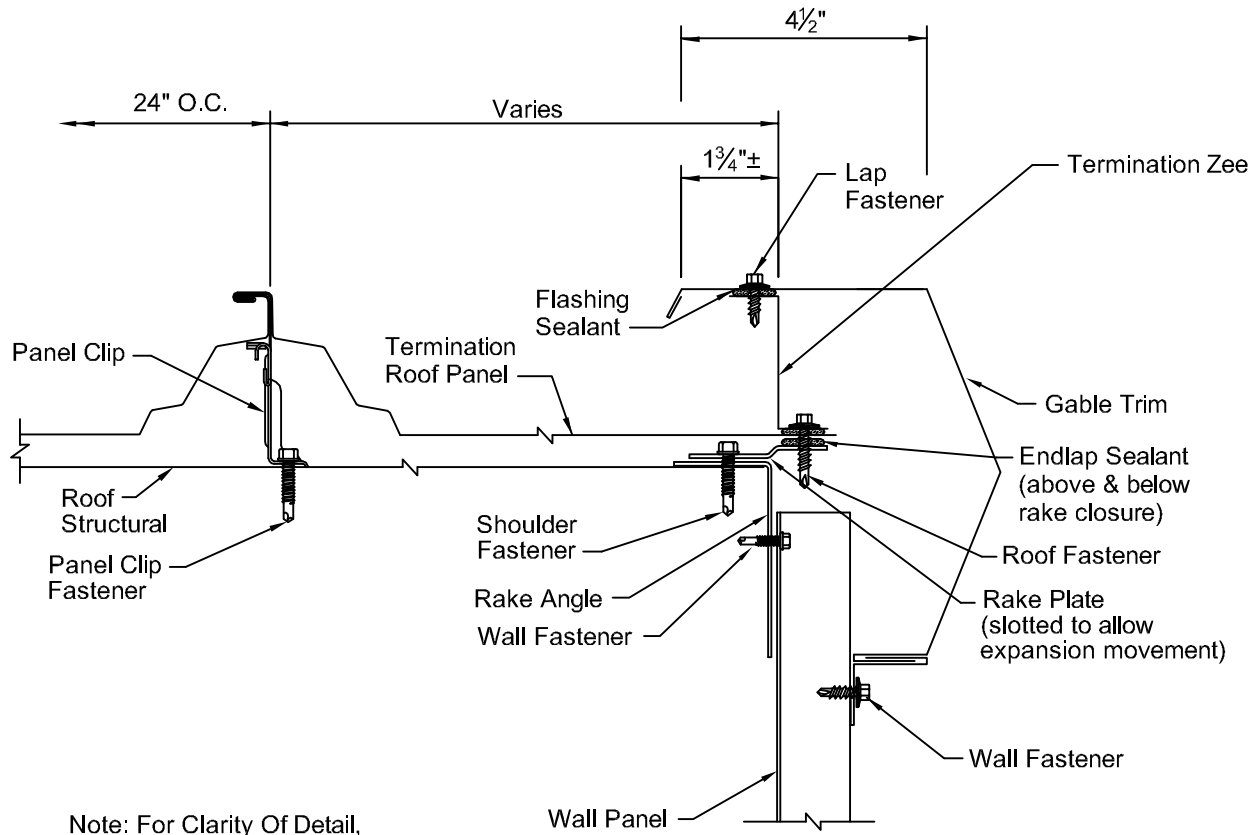
Note: For Clarity Of Detail,
Roof Insulation Is Not Shown

Starting Rake Section - Rake Trim

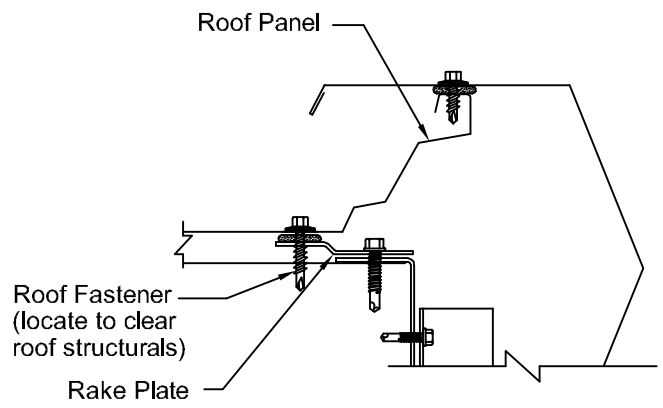


BigbeeLok-324 Roof System Architectural Details

PAGE: 11
REVISION NO: 2
DATE: July 2009



Note: For Clarity Of Detail,
Roof Insulation Is Not Shown



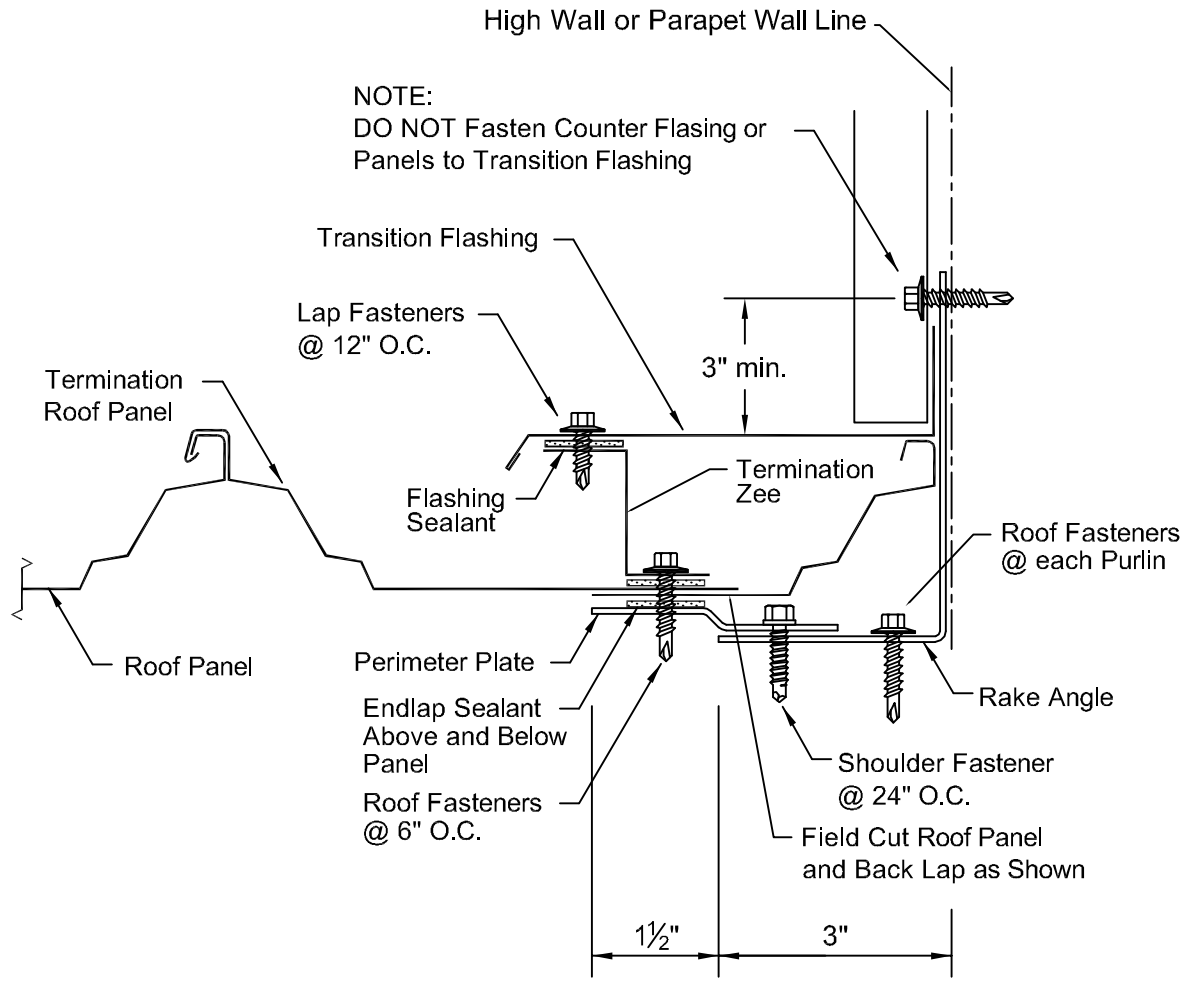
Alternate
Attachment To Full Width Roof Panel

Finish Rake Section - Rake Trim



BigbeeLok-324 Roof System Architectural Details

PAGE: 12
REVISION NO: 2
DATE: July 2009



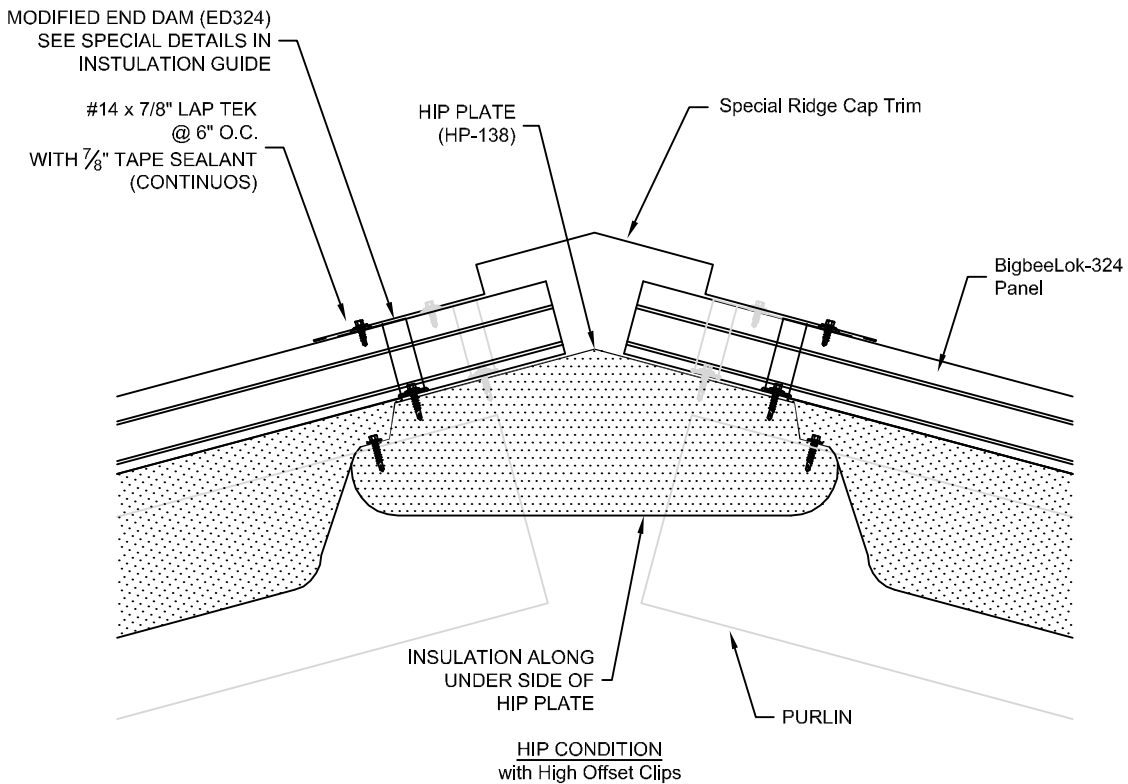
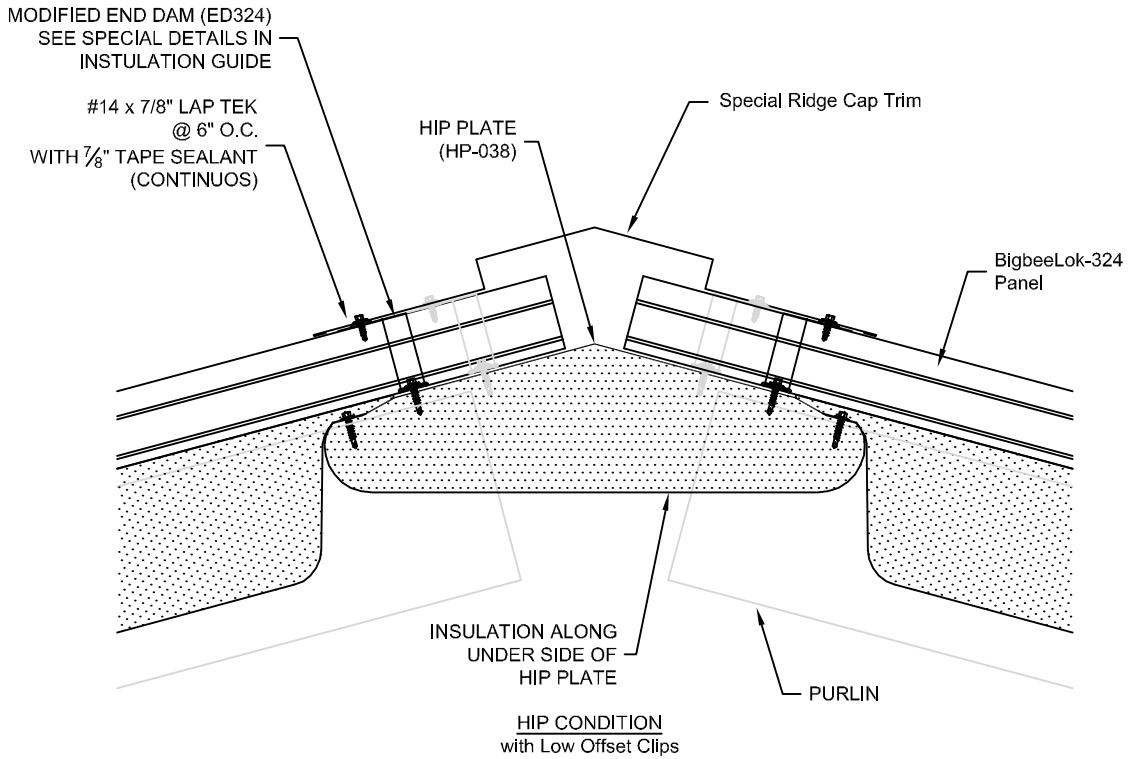
Notes: For Clarity Of Detail,
Roof Insulation Is Not Shown.

Rake Section - Transition Flashing



BigbeeLok-324 Roof System Architectural Details

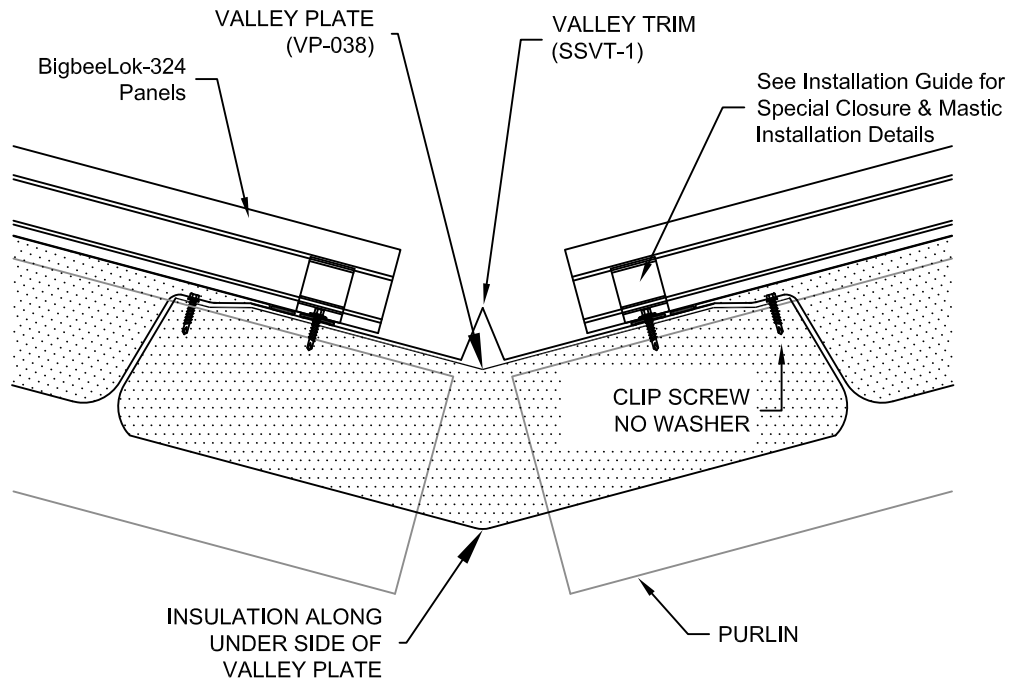
PAGE: 13
REVISION NO: 2
DATE: July 2009



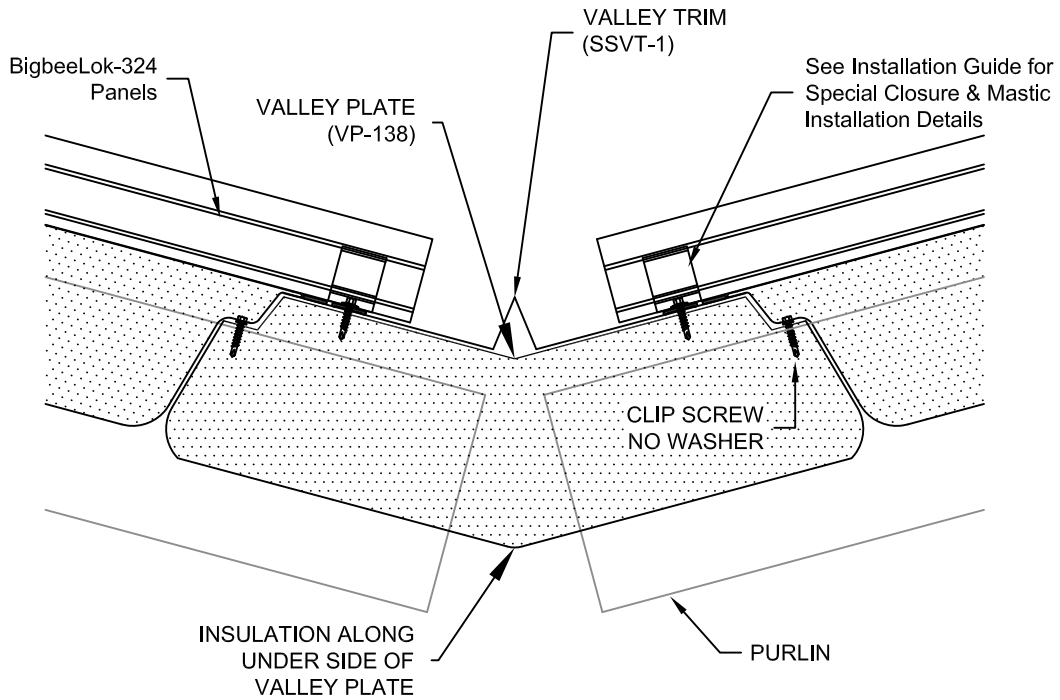
Hip Section



BigbeeLok-324 Roof System Architectural Details



VALLEY CONDITION
with Low Offset Clips



VALLEY CONDITION
with High Offset Clips

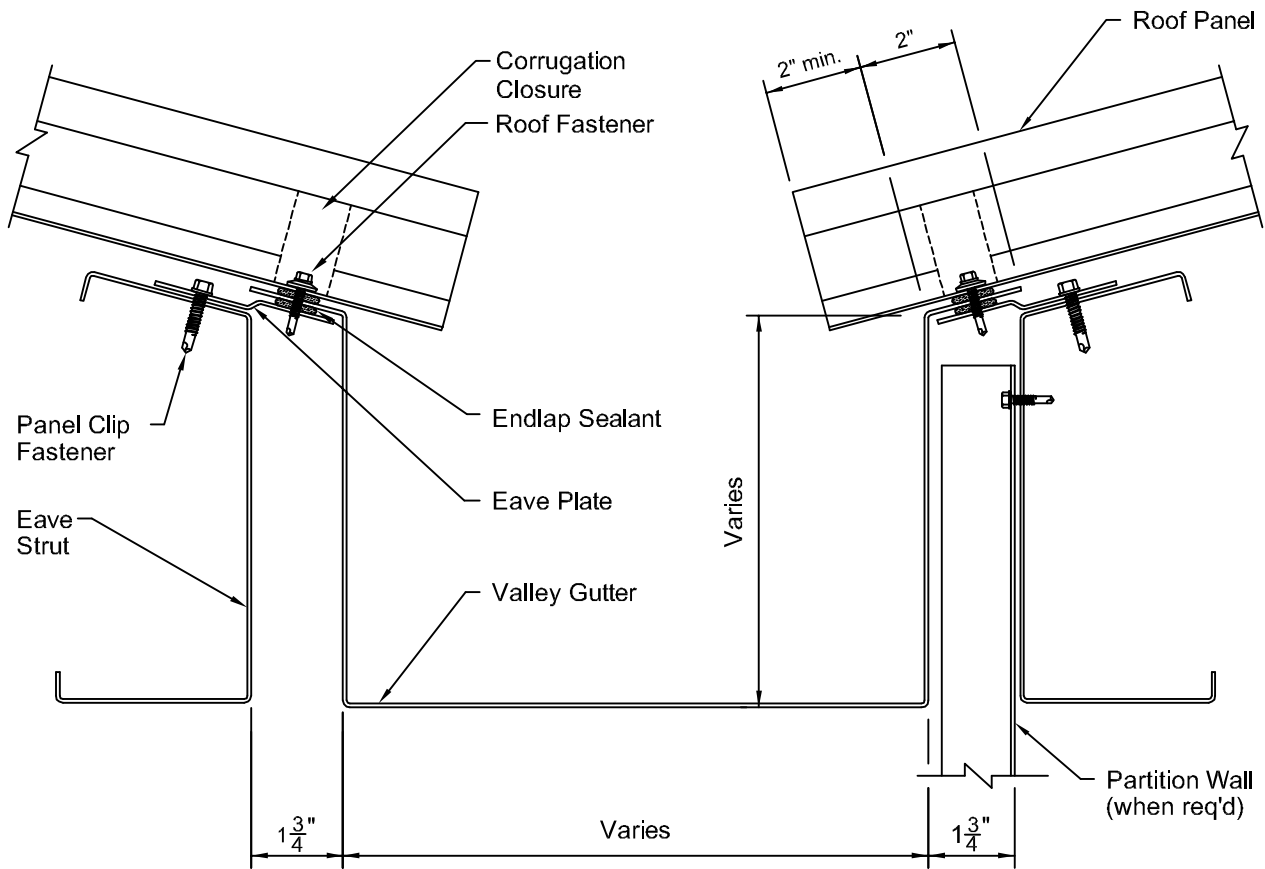
Valley Section



BigbeeLok-324 Roof System Architectural Details

PAGE: 15
REVISION NO: 2
DATE: July 2009

Note: For Clarity Of Detail,
Roof Insulation Is Not Shown



CAUTION
Interior Gutter Must Be
Provided With Protection From
Corrosion, Icing, Damming &
Interior Condensation

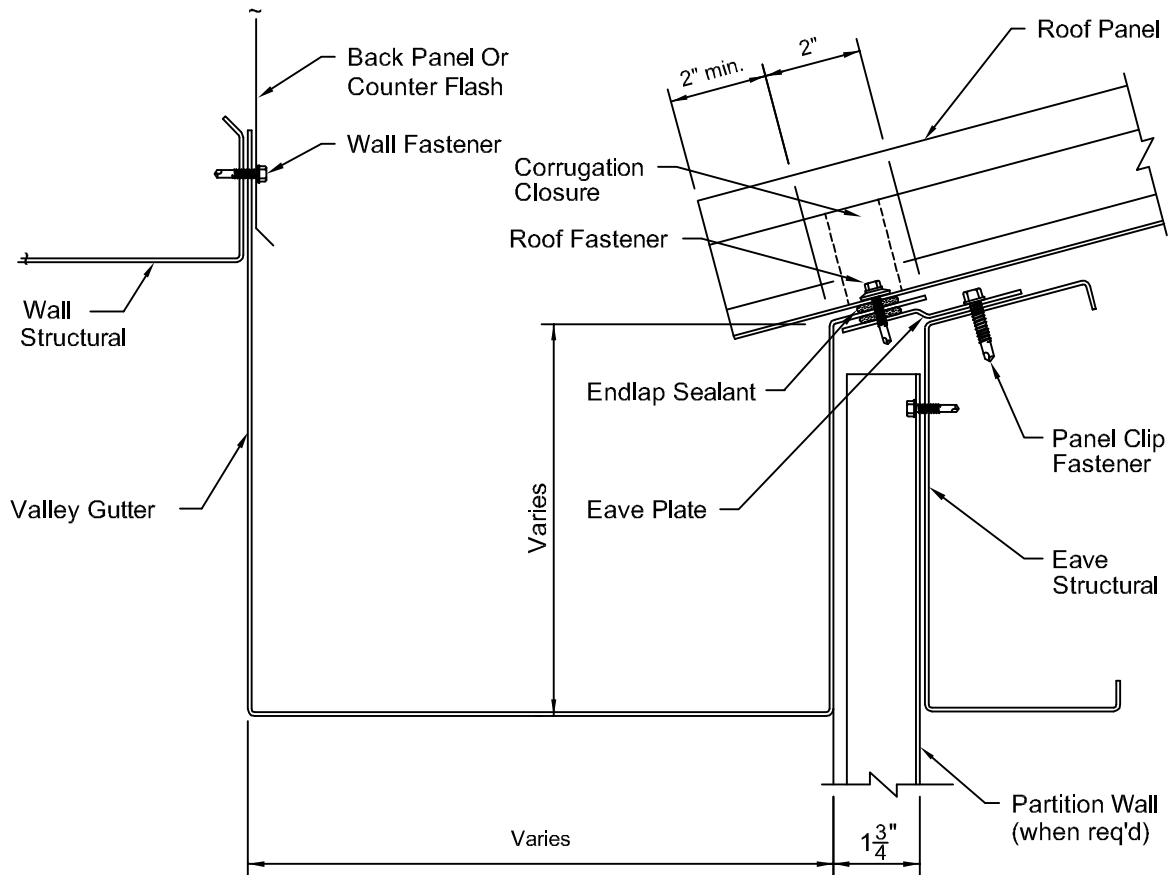
Valley Gutter Section



BigbeeLok-324 Roof System Architectural Details

PAGE: 16
REVISION NO: 2
DATE: July 2009

Note: For Clarity Of Detail,
Roof Insulation Is Not Shown



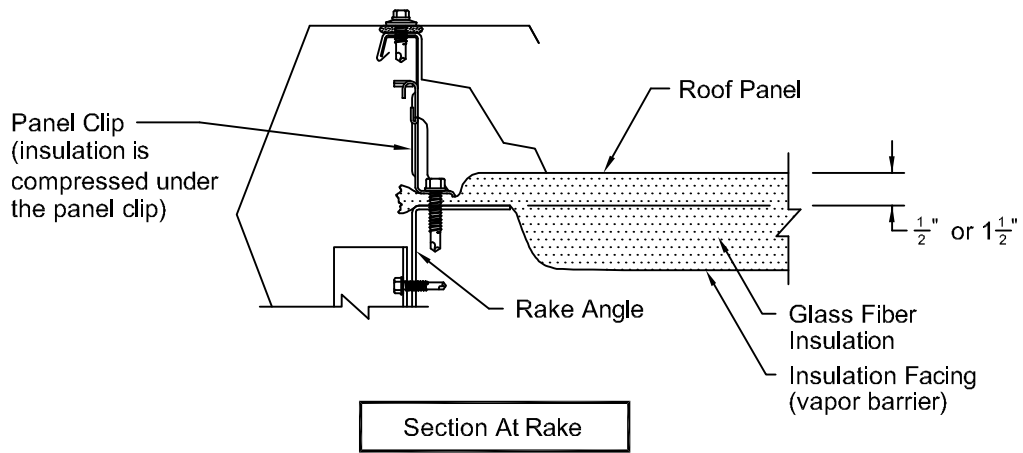
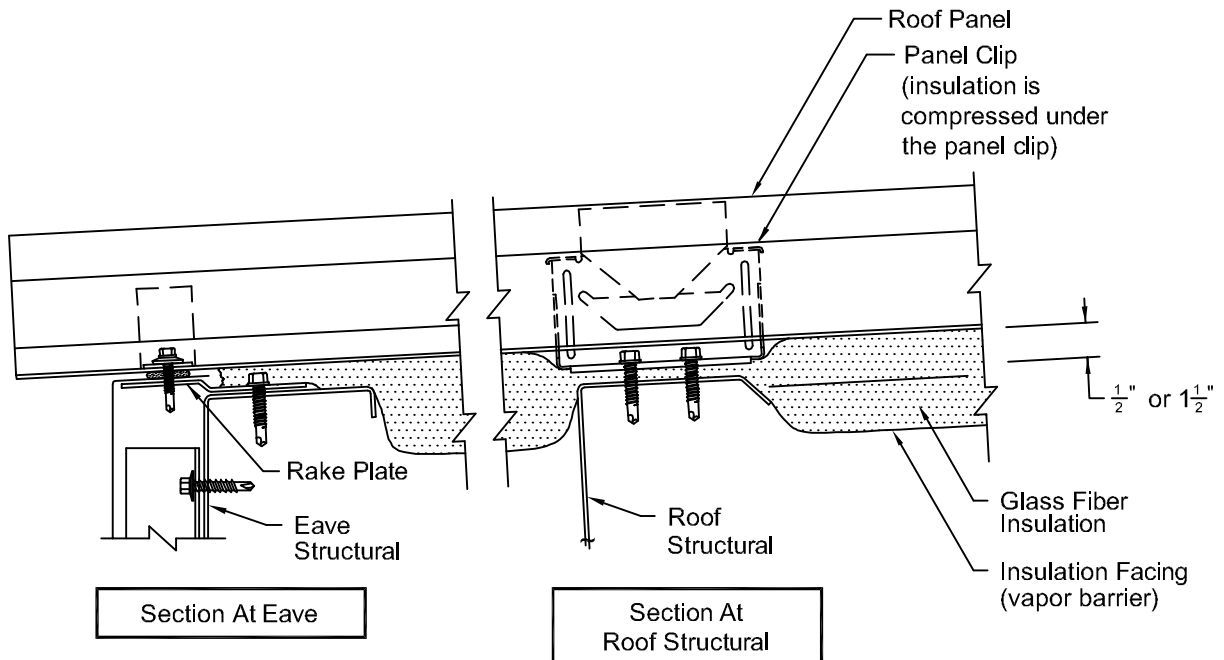
CAUTION
Interior Gutter Must Be
Provided With Protection From
Corrosion, Icing, Damming &
Interior Condensation

Interior Eave Gutter Section



BigbeeLok-324 Roof System Architectural Details

PAGE: 17
REVISION NO: 2
DATE: July 2009



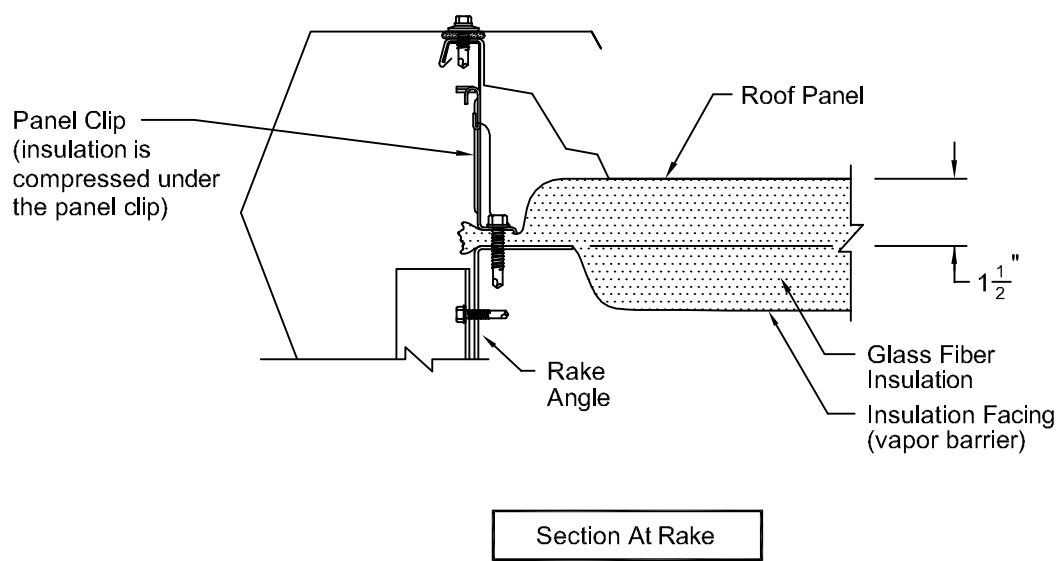
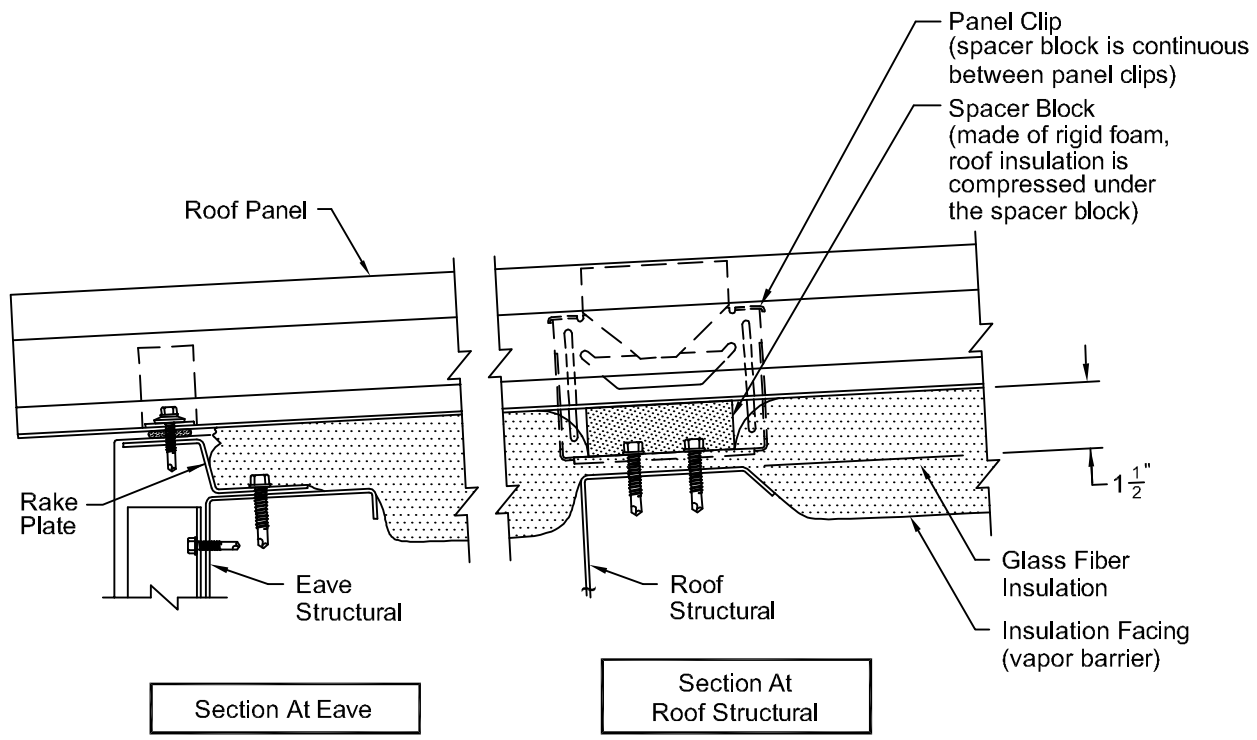
Insulation Note
1/2" Standoff Is Recommended For Up To 4" Thick Insulation.
1 1/2" Standoff Is Recommended For 4" To 6" Thick Insulation.

Roof Sections - Fiberglass Insulation



BigbeeLok-324 Roof System Architectural Details

PAGE: 18
REVISION NO: 2
DATE: July 2009



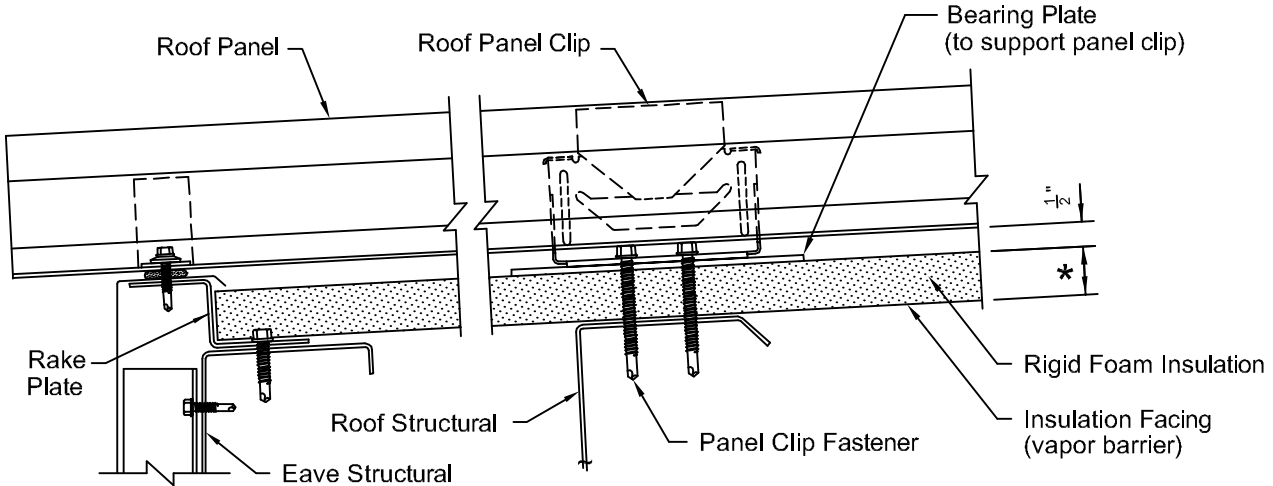
Insulation Note
1/2" Standoff Is Recommended For Up To 4" Thick Insulation.
1 1/2" Standoff Is Recommended For 4" To 6" Thick Insulation.

Roof Sections - Fiberglass Insulation With Thermal Spacers



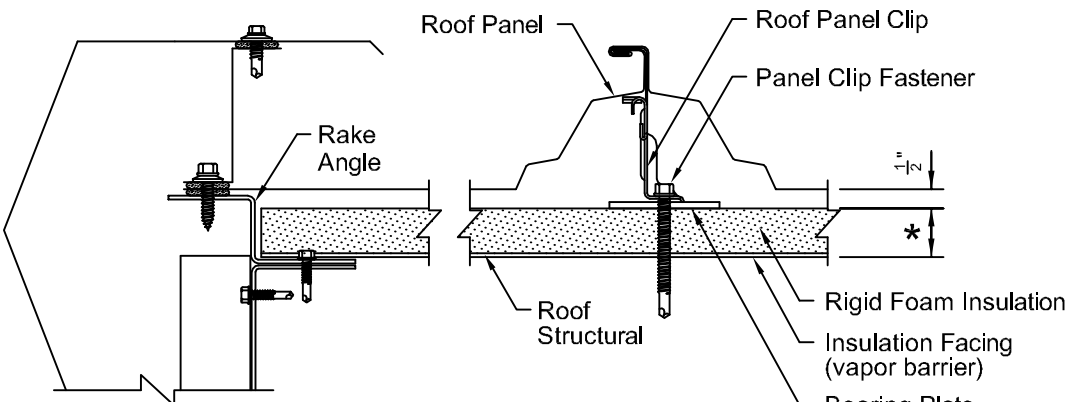
BigbeeLok-324 Roof System Architectural Details

PAGE: 19
REVISION NO: 2
DATE: July 2009



Section At Eave

Section At Roof Structural



Section At Rake

Note
* Rigid Foam Insulation Thickness = 1" To 4".

Roof Sections - Rigid Foam Insulation