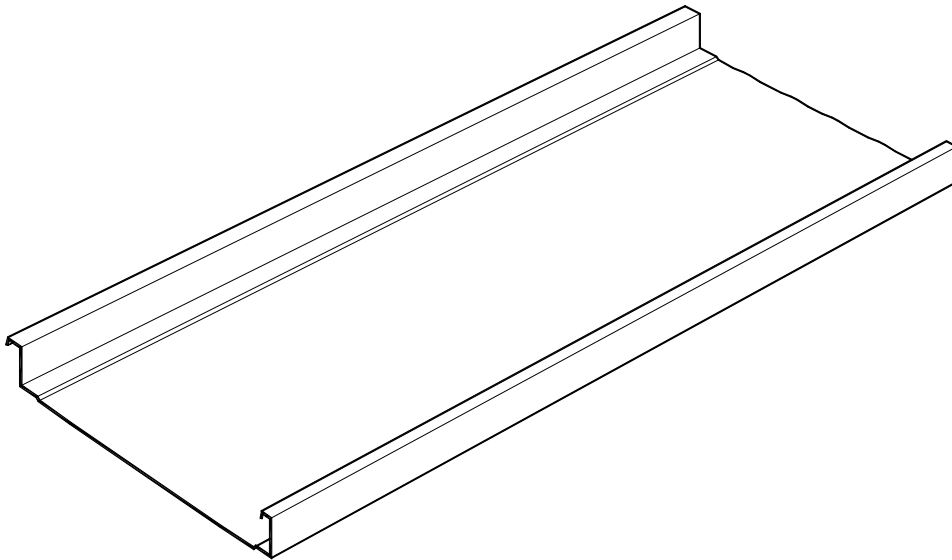




BIGBEE STEEL BUILDINGS, INC.
2705 Avalon Avenue
Muscle Shoals, AL 35661

BigbeeVR
Standing Seam Roof System
ARCHITECTURAL DETAILS



Phone: 256-383-7322 or 800-633-3378
Fax: 256-381-9669
Web: www.bigbee.com

Revised: July 23, 2009



Index

General Details

Details Index.....	1
Detail Locator.....	2
Roof Panel Sections.....	3
Roof Panel Seam Section - With Floating Panel Clip.....	4
Roof Panel Seam Section - With Fixed Panel Clip.....	5
Roof Panel Clip Details.....	6
Insulation Section - Rigid Foam.....	7
Insulation Section - Glass Fiber Blanket With Spacers.....	8
Insulation Section - Glass Fiber Blanket.....	9
Roof panel over Plywood Sections.....	10

High Pitch Roof Details

Eave Section - Eave Trim.....	11
Eave Section - Eave Gutter.....	12
Mansard Section.....	13
Ridge Section.....	14
High Eave Section.....	15
Rake Section.....	16
Hip Section.....	17
Valley Section.....	18

Low Pitch Roof Details

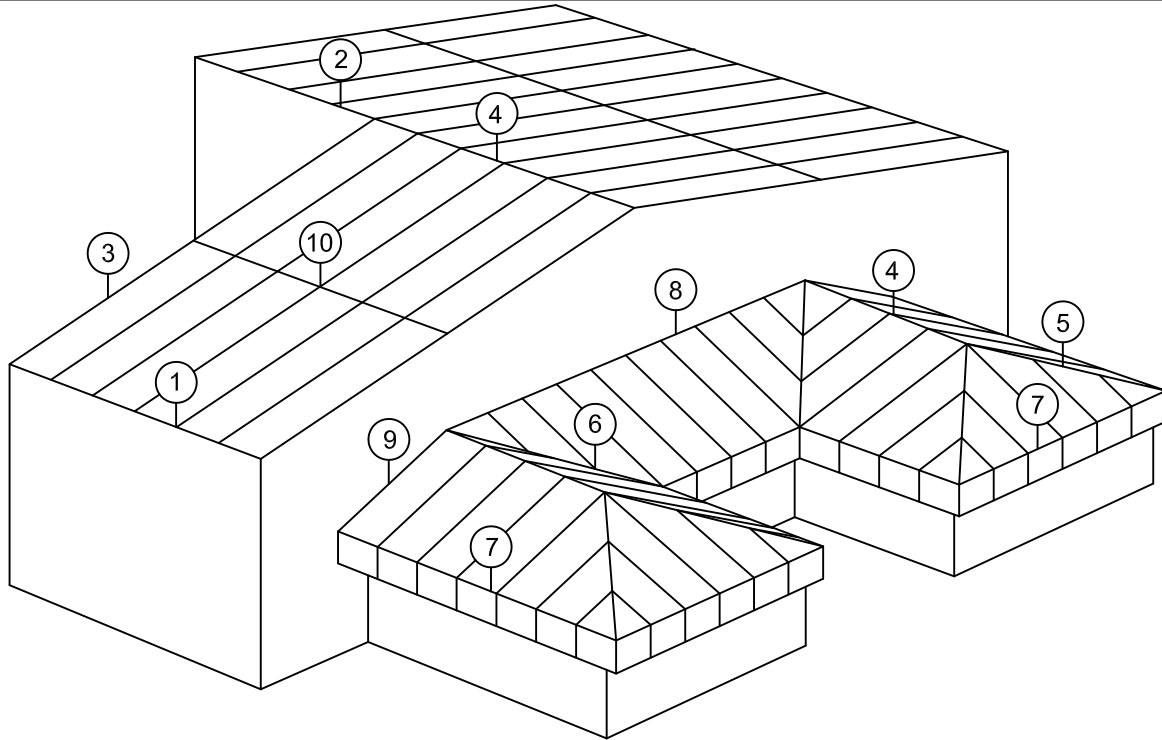
Eave Section - Eave Trim.....	19
Eave Section - Sculptured Eave Trim.....	20
Eave Section - Eave Gutter.....	21
Ridge Section.....	22
High Eave Section.....	23
Rake Section - Starting Rake.....	24
Rake Section - Finish Rake.....	25
Transition Section - High Eave.....	26
Transition Section.....	27
Interior Gutter Section.....	28
Valley Gutter Section.....	29

Details Index



BigbeeVR Roof System Architectural Details

PAGE: 2
REVISION NO: 2
DATE: July 2009



* Oil-Canning is a natural occurrence in metal panels that does not affect the finish or structural integrity of the panel and is there for NOT a cause for rejection.

The following Architectural Details provide a graphic description of the BigbeeVR Standing Seam Roof System and it's standard applications. Use these details to determine the applications required for your specific project.

DETAIL LEGEND	
①EAVE
②HIGH EAVE
③RAKE
④RIDGE
⑤HIP
⑥VALLEY
⑦MANSARD
⑧HIGH EAVE TRANSITION
⑨RAKE TRANSITION
⑩ROOF PANEL ENDLAP

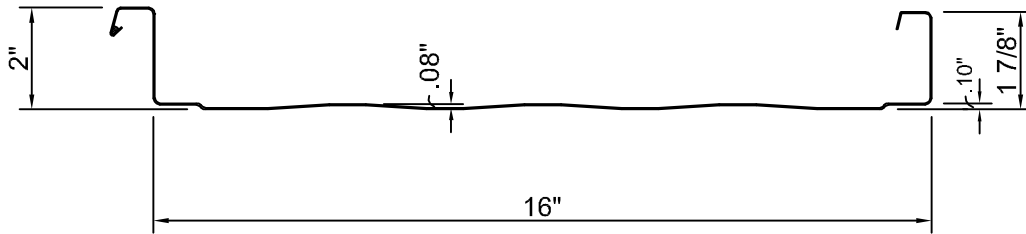
These standard application details are based on typical and proven designs utilizing gasket type sealed assemblies to provide more positive weather resistance over a broad range of conditions, including low pitched roofs. It is the project designer's responsibility to assure that the specified application is appropriate for the roof's intended use.

These details show generic roof structural members, roof insulation and adjacent construction for simplicity of presentation. These details may be modified to accommodate clarification of structural members, roof insulation, trim profile, tie-in to adjacent construction etc.

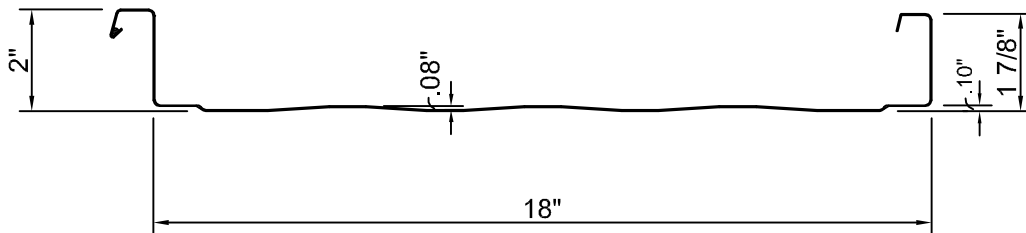
The basic function of the details, such as roof panel assembly and fit-up to closures and flashing, sealing and attachments etc. cannot be modified. All applications, not in accordance to these details, require approval by the Bigbee Steel Buildings, Inc. Customer Service Department.

In case of conflict between these Architectural details and the project's erection drawings, the erection drawings will take precedence.

Detail Locator

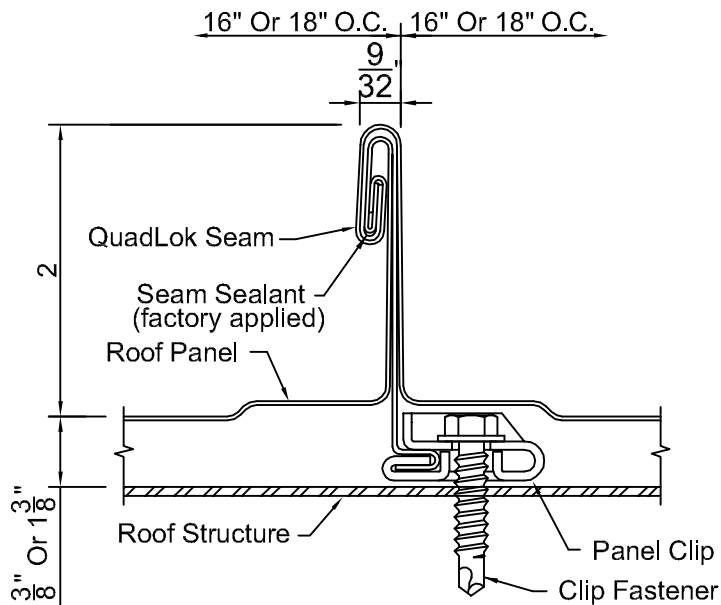


PC 216 Roof Panel
With Striated Pan

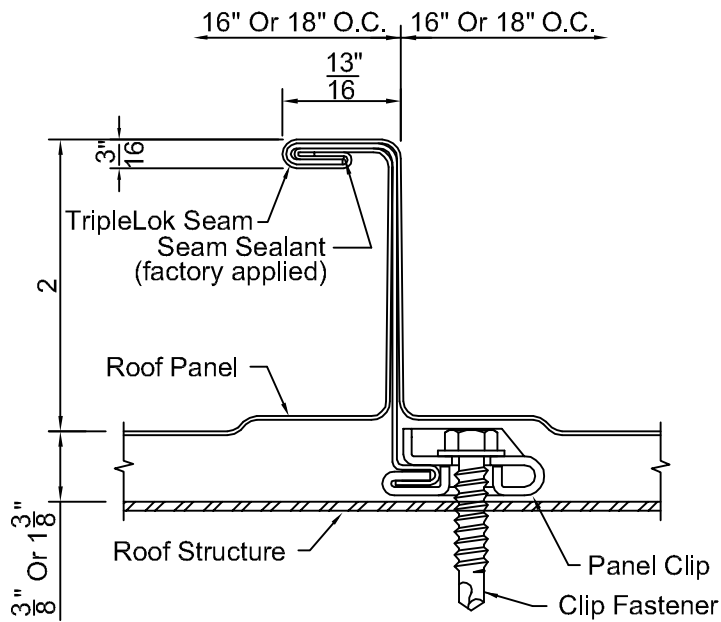


PC 218 Roof Panel
With Striated Pan

Roof Panel Sections

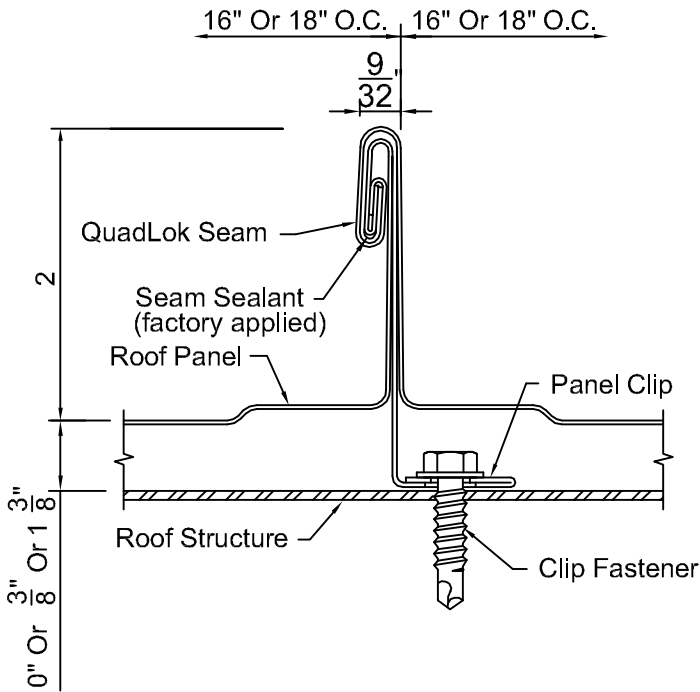


Quadlok Seam

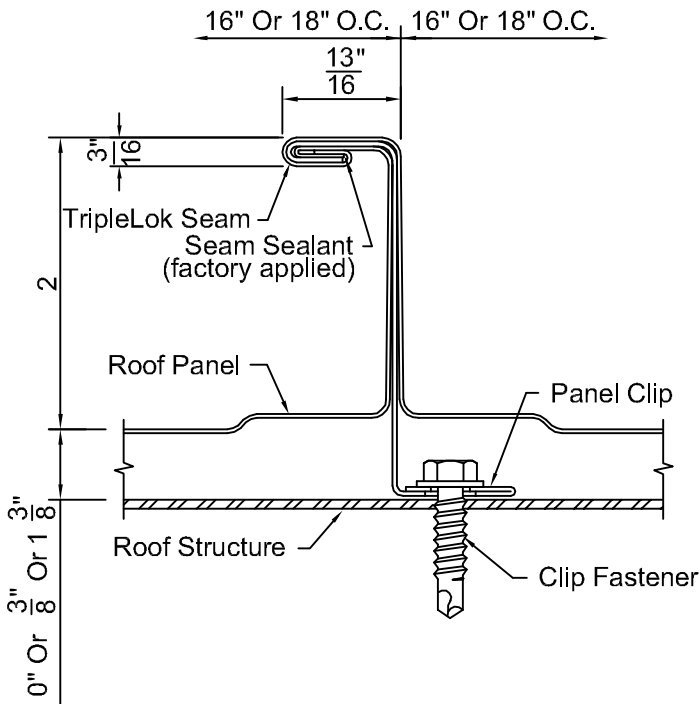


Triplelok Seam

Roof Panel Seam Section
(With Floating Panel Clip)



Quadlok Seam



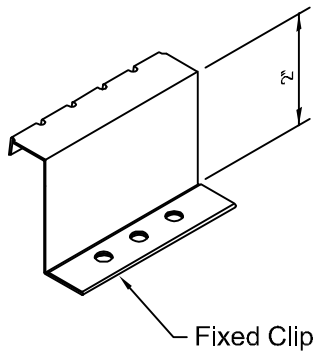
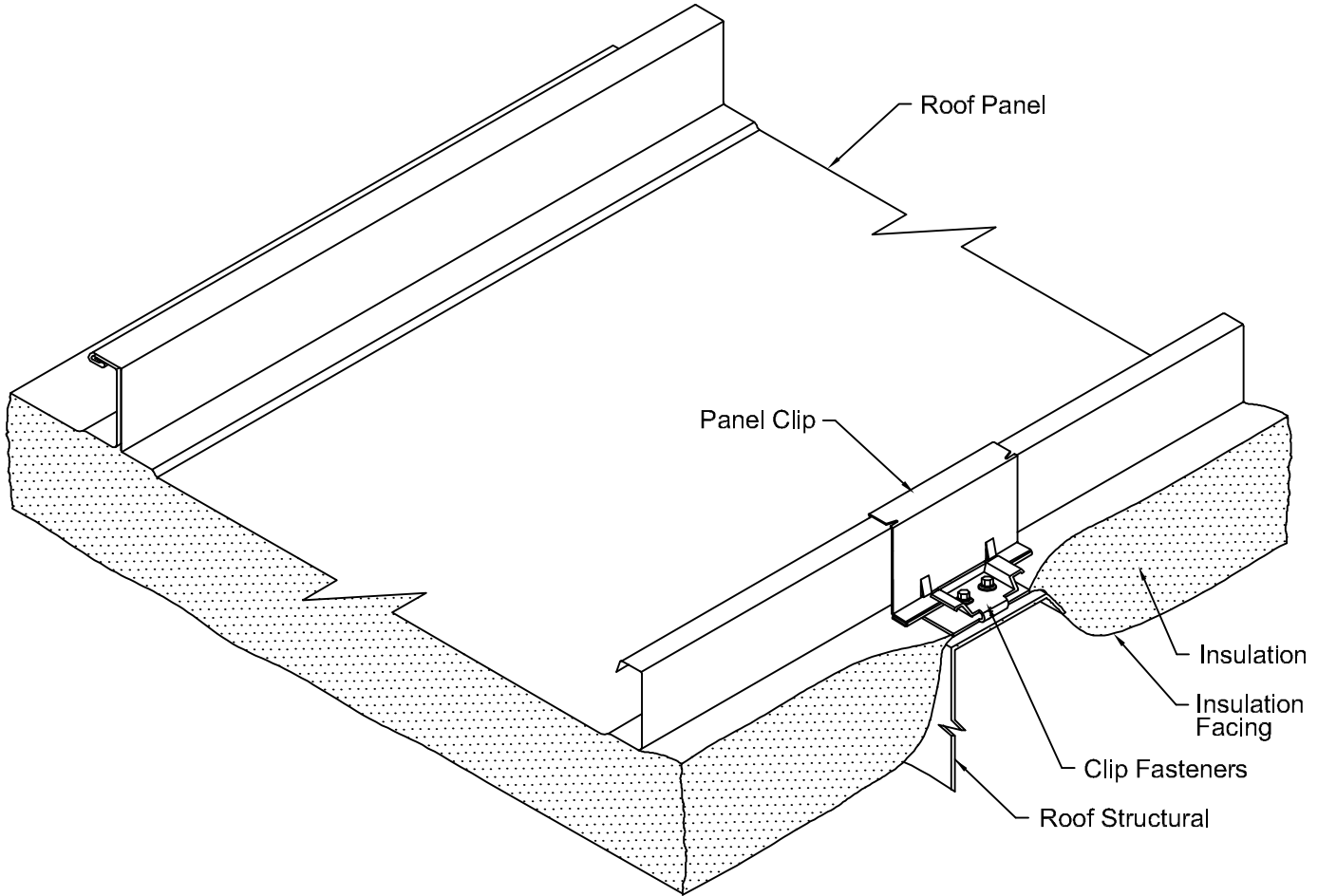
Triplelok Seam

Roof Panel Seam Section
(With Fixed Panel Clip)

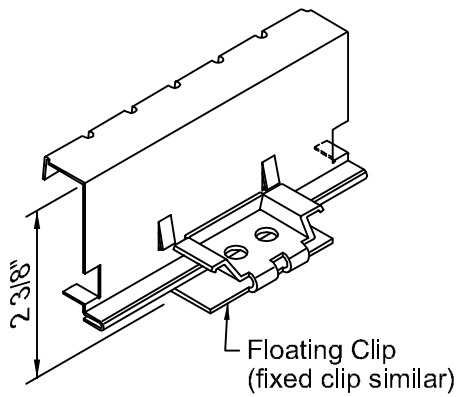


BigbeeVR Roof System Architectural Details

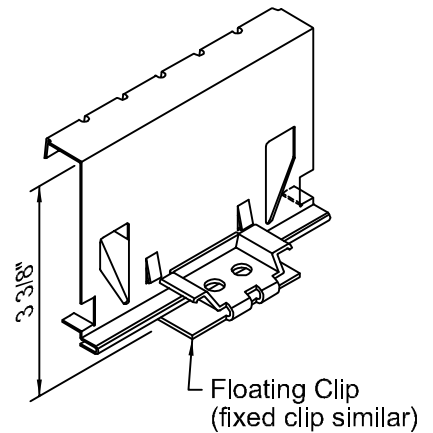
PAGE: 6
REVISION NO: 2
DATE: July 2009



For 0"
Fixed Roof Only



For 3/8" Stand-off
Fixed Or Floating Roof



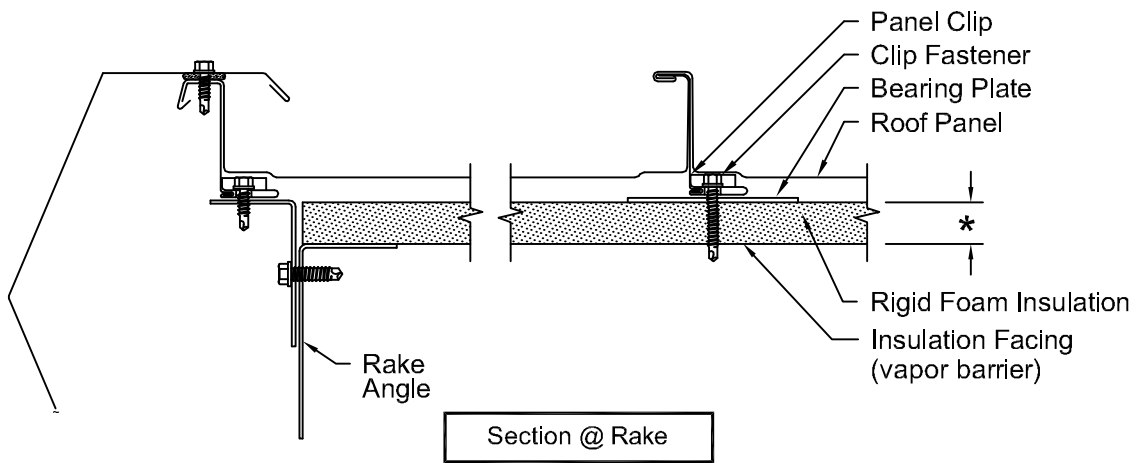
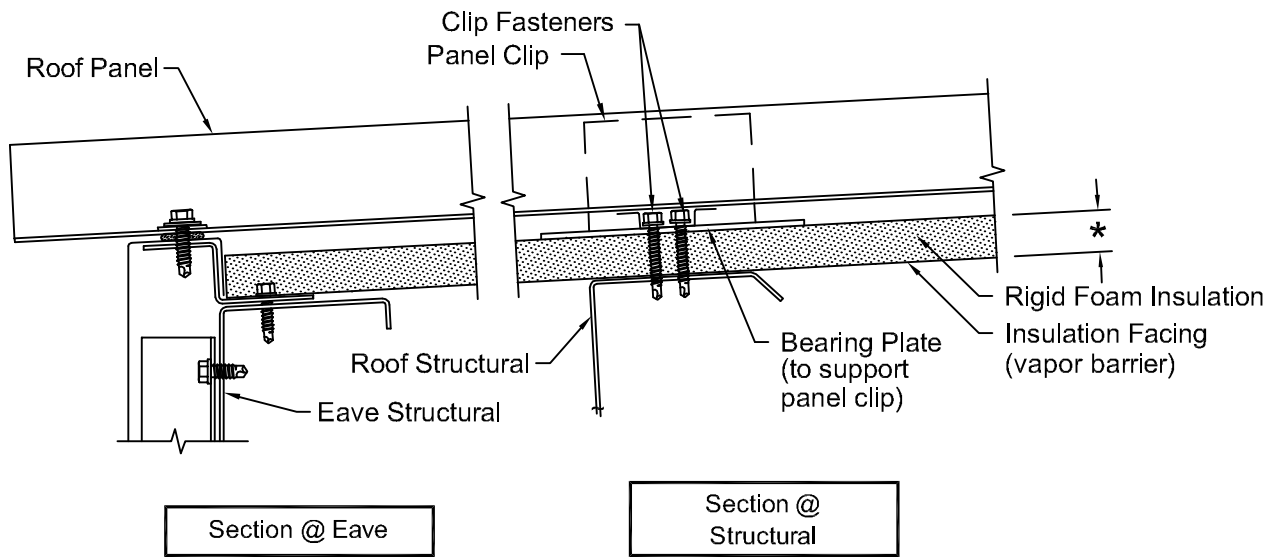
For 1 3/8" Stand-off
Fixed Or Floating Roof

Roof Panel Clip Details



BigbeeVR Roof System Architectural Details

PAGE: 7
REVISION NO: 2
DATE: July 2009



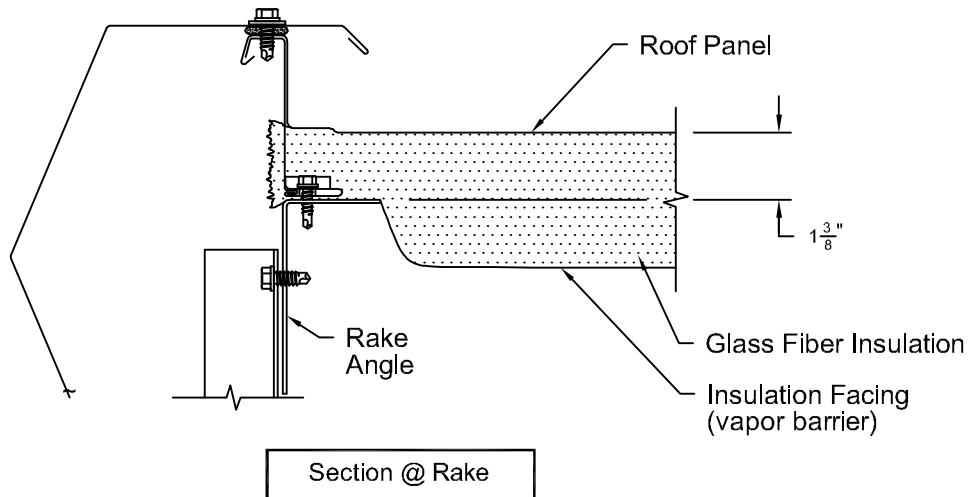
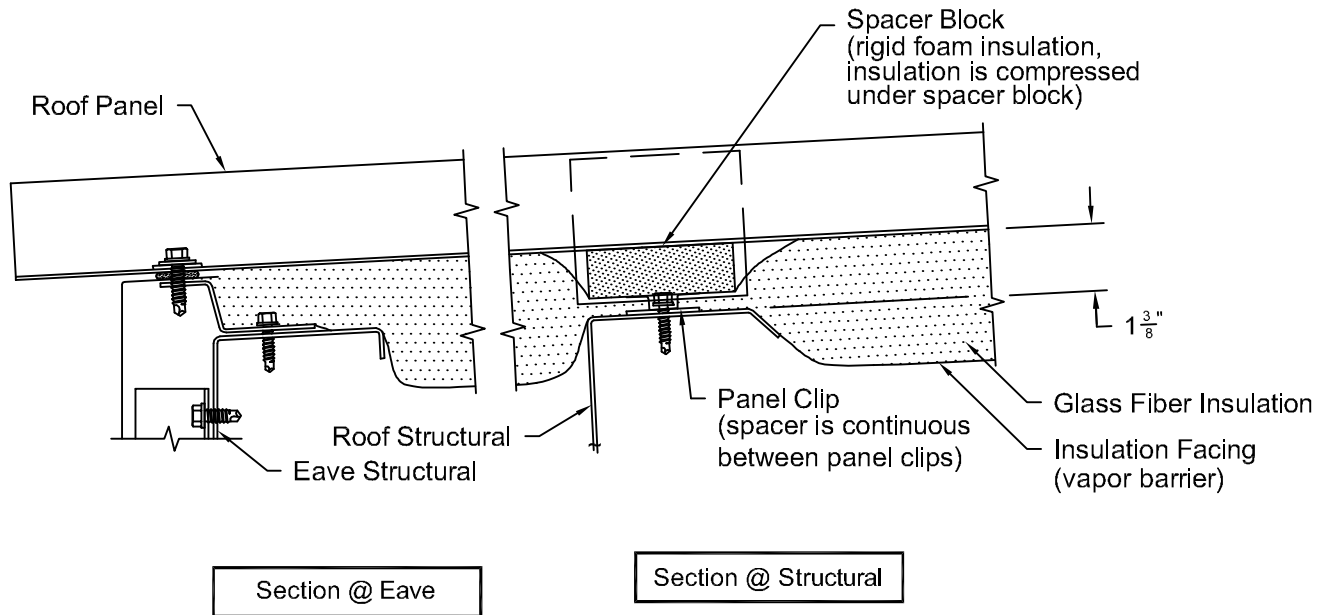
Note
* Rigid Foam Insulation Thickness = 1" To 4".

Insulation Sections - Rigid Foam



BigbeeVR Roof System Architectural Details

PAGE: 8
REVISION NO: 2
DATE: July 2009



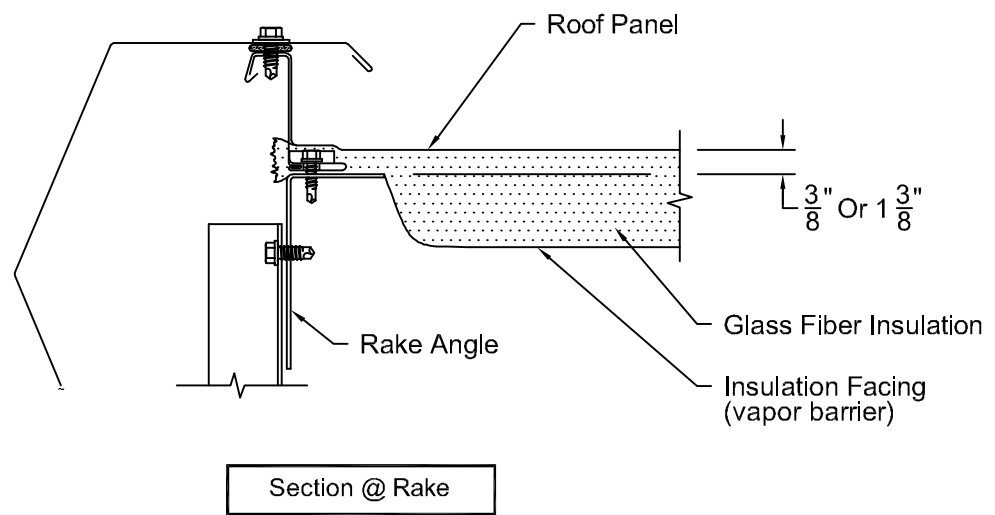
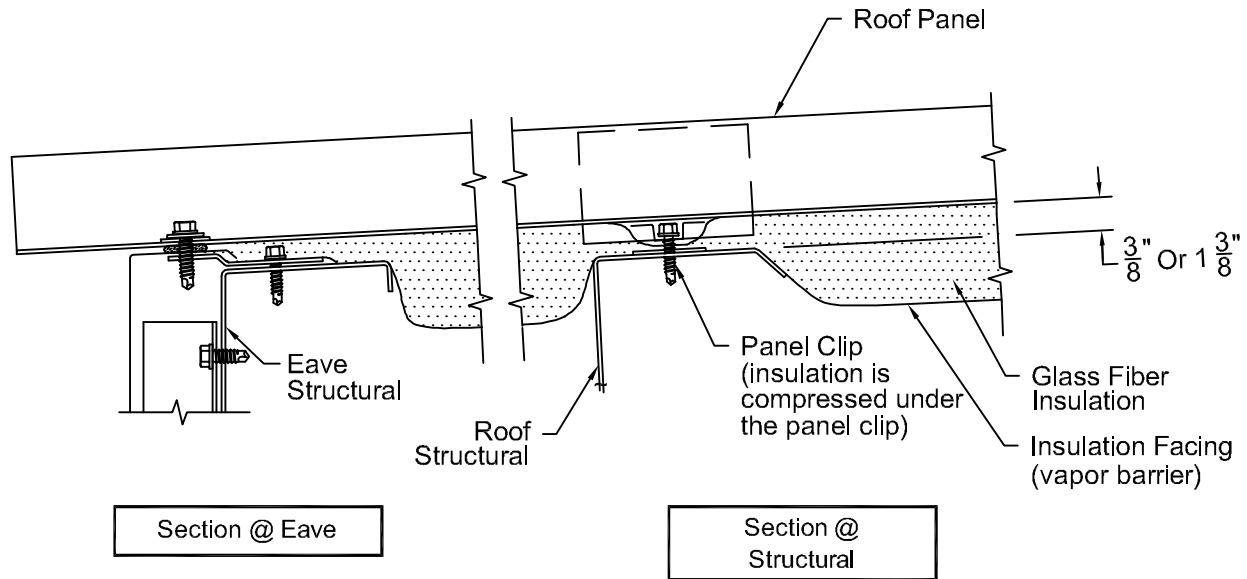
Insulation Note
3/4" Spacer Is Recommended For Up To 4" Thick Insulation.
3/8" Spacer Is Recommended For 4" To 6" Thick Insulation.

Insulation Sections - Glass Fiber Blanket With Spacers



BigbeeVR Roof System Architectural Details

PAGE: 9
REVISION NO: 2
DATE: July 2009



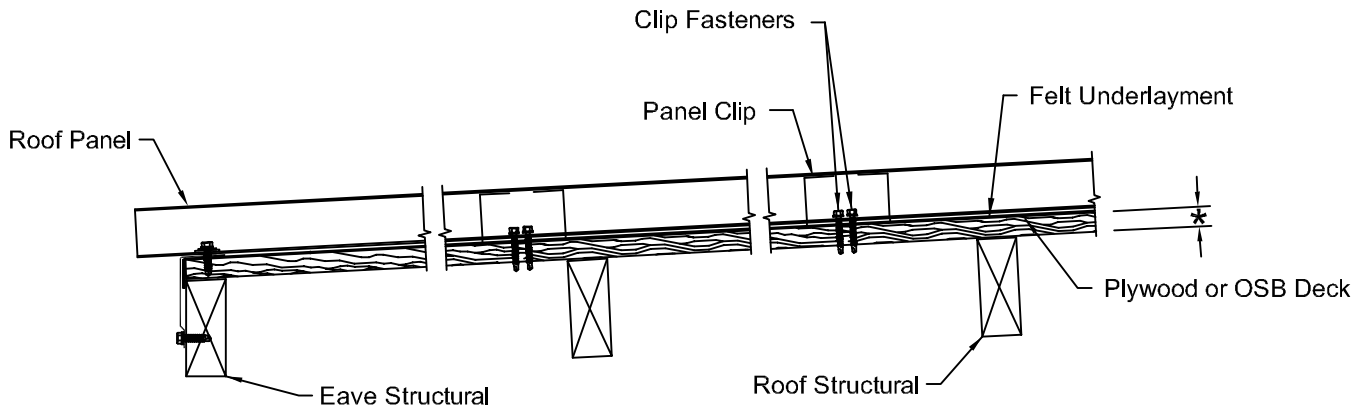
Insulation Note
3/8" Standoff Is Recommended For Up To 4" Thick Insulation.
1 3/8" Standoff Is Recommended For 4" To 6" Thick Insulation.

Insulation Sections - Glass Fiber Blanket

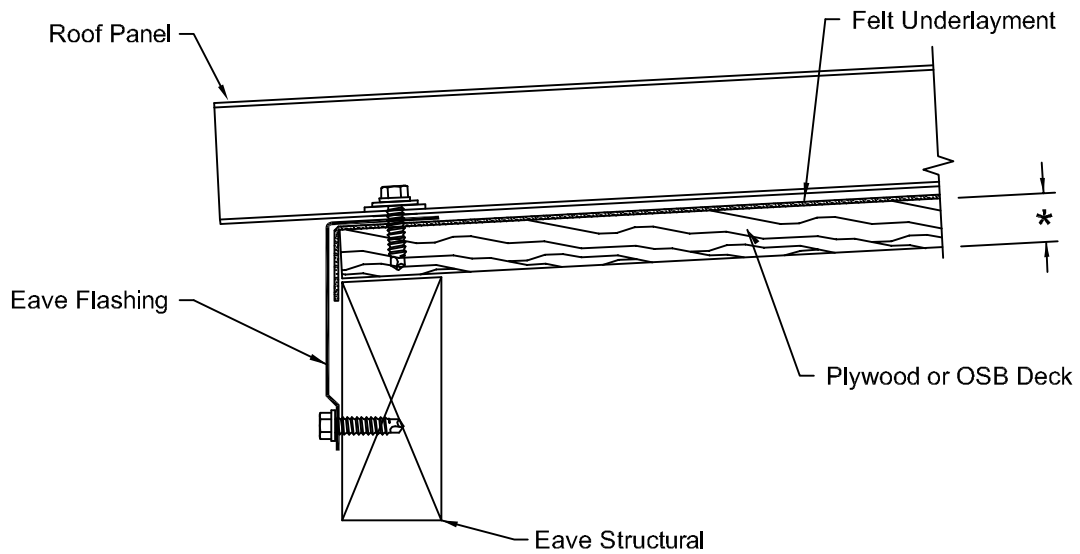


BigbeeVR Roof System Architectural Details

PAGE: 10
REVISION NO: 2
DATE: July 2009



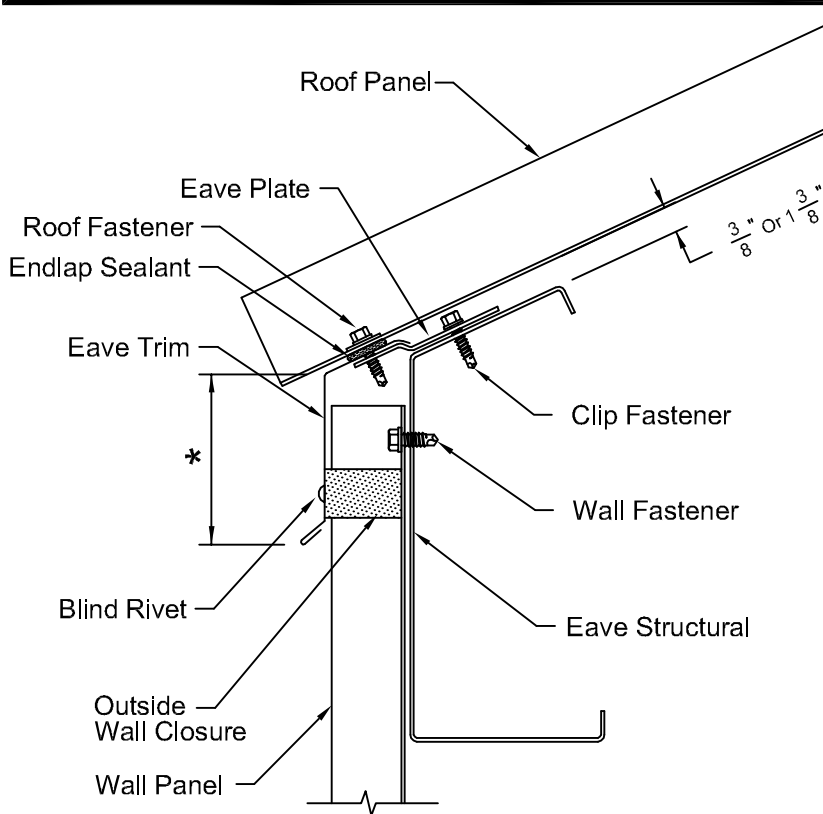
Cross Section @
Roof Structural



Section @ Eave

Note
* Plywood Thickness

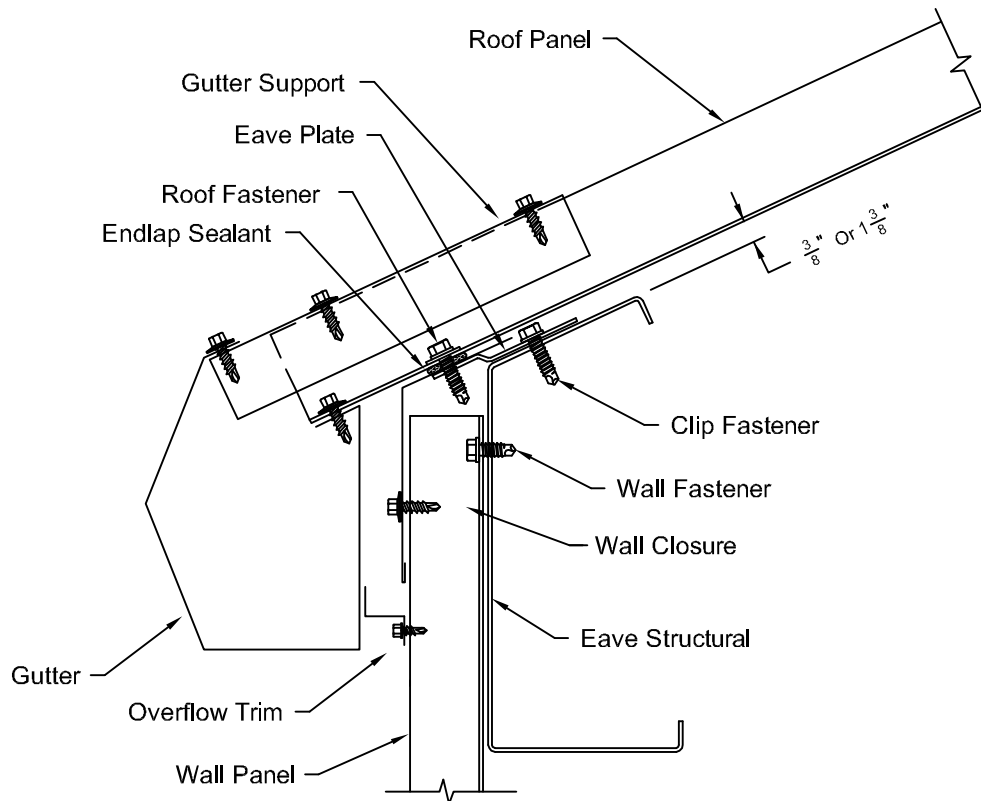
Panel Over Plywood Sections



** Determined By Manufacturer*

Architectural

Eave Section - Eave Trim



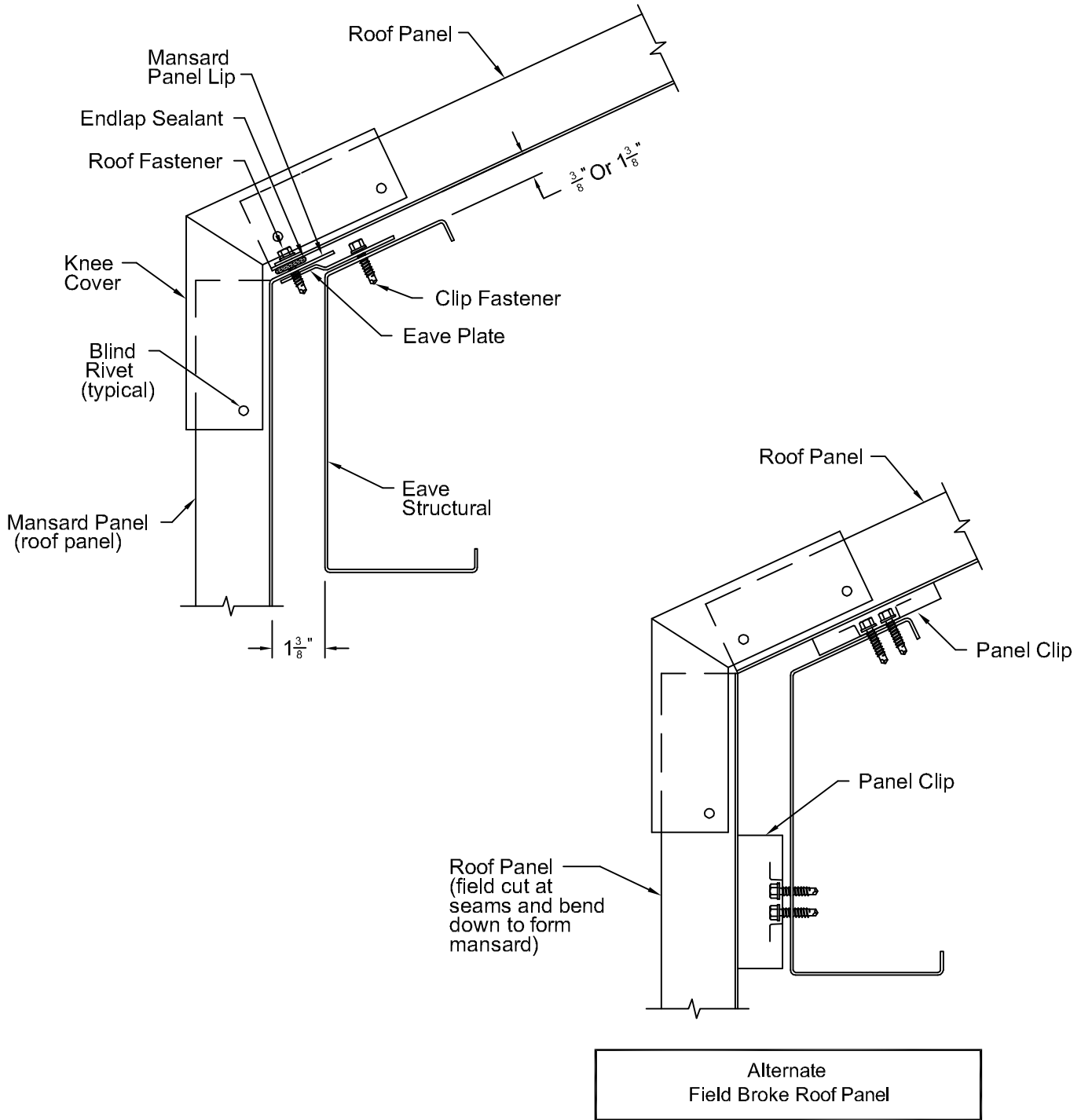
Architectural

Eave Section - Eave Gutter



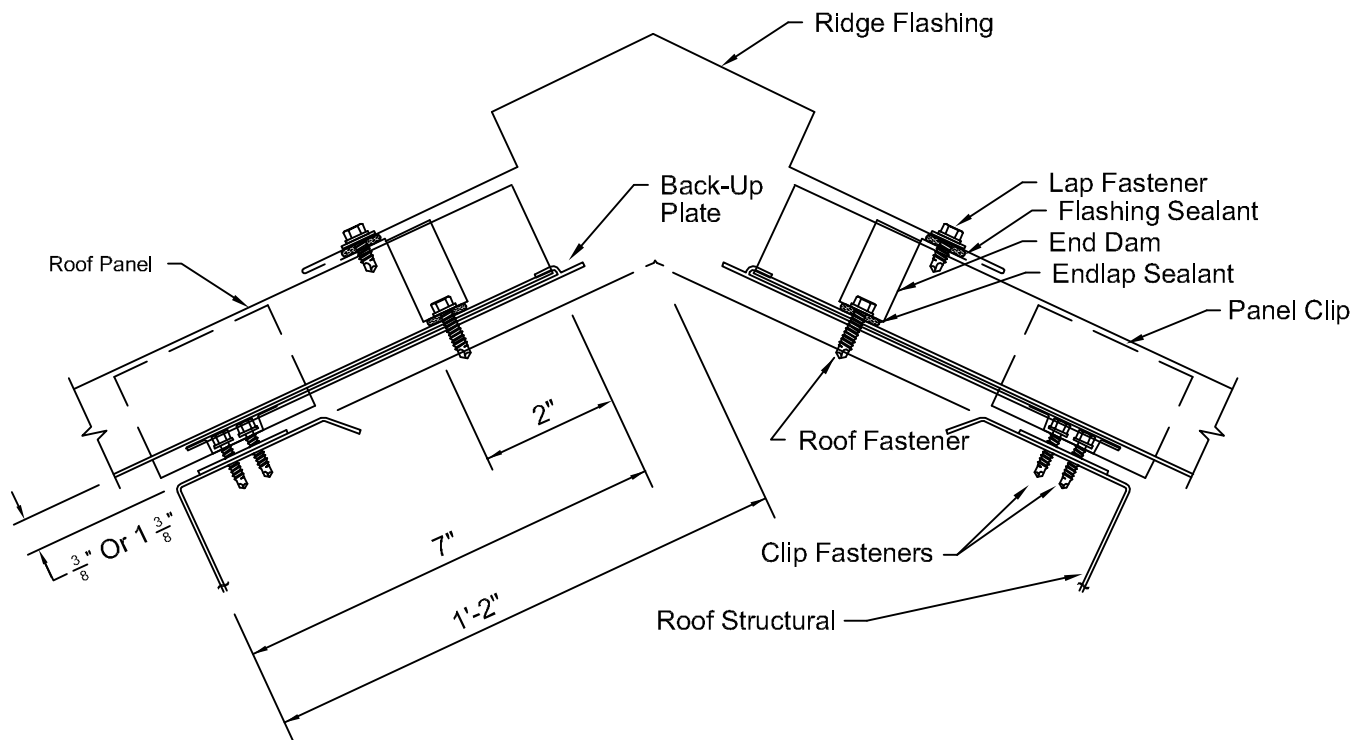
BigbeeVR Roof System Architectural Details

PAGE: 13
REVISION NO: 2
DATE: July 2009



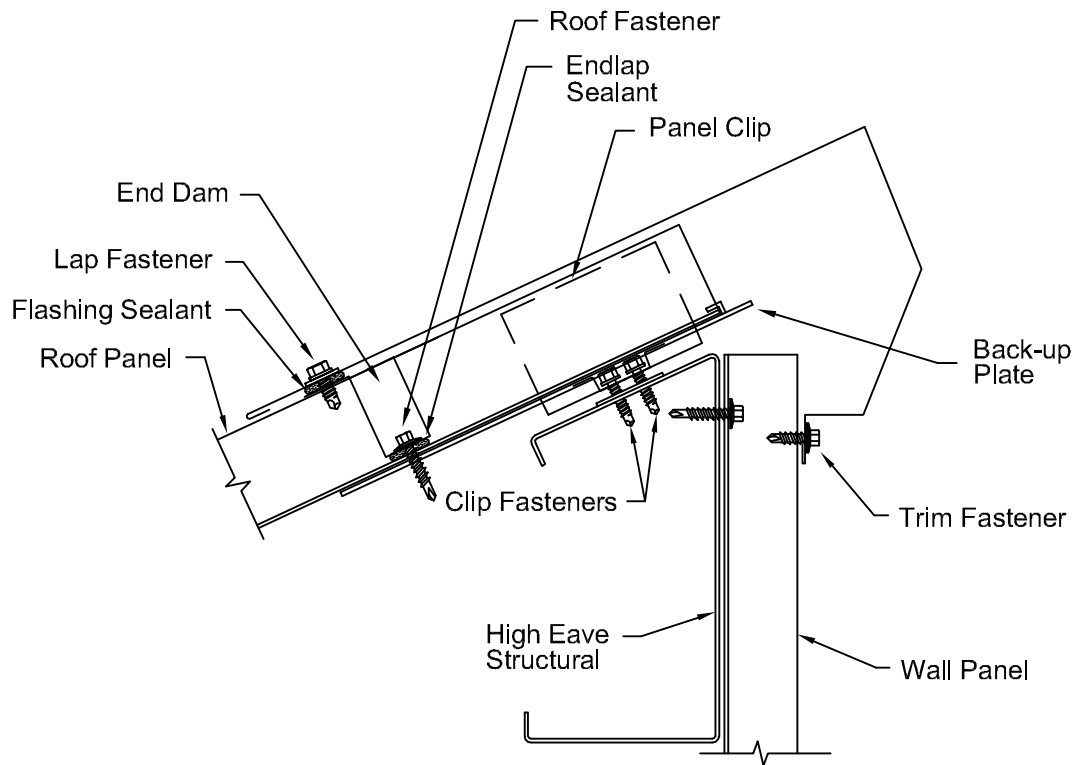
Architectural

Mansard Section



Architectural

Ridge Section



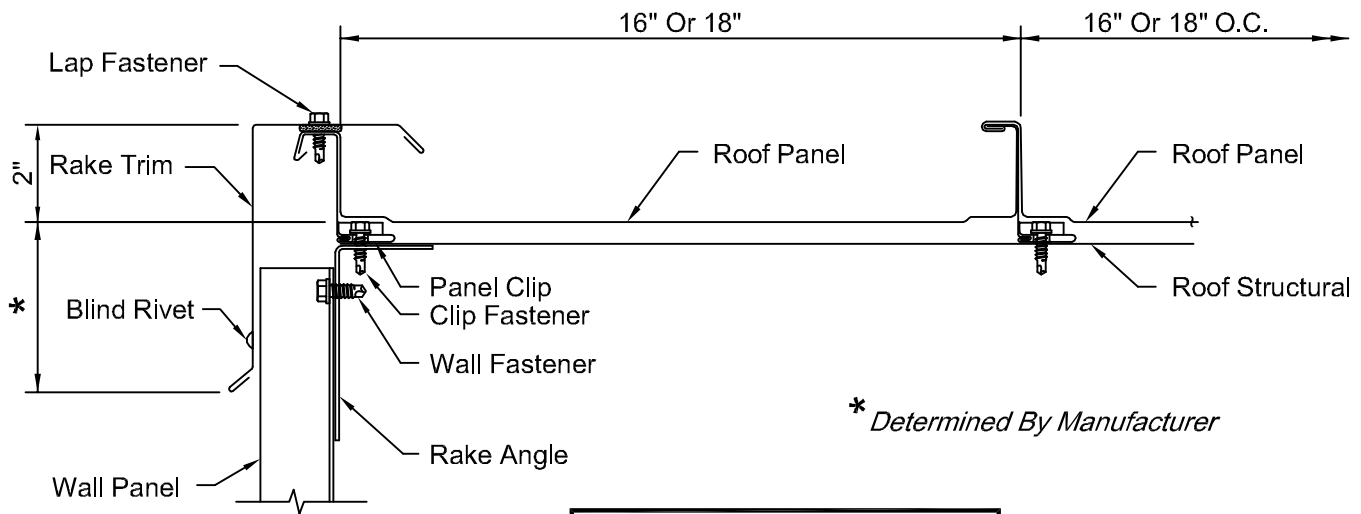
Architectural

High Eave Section



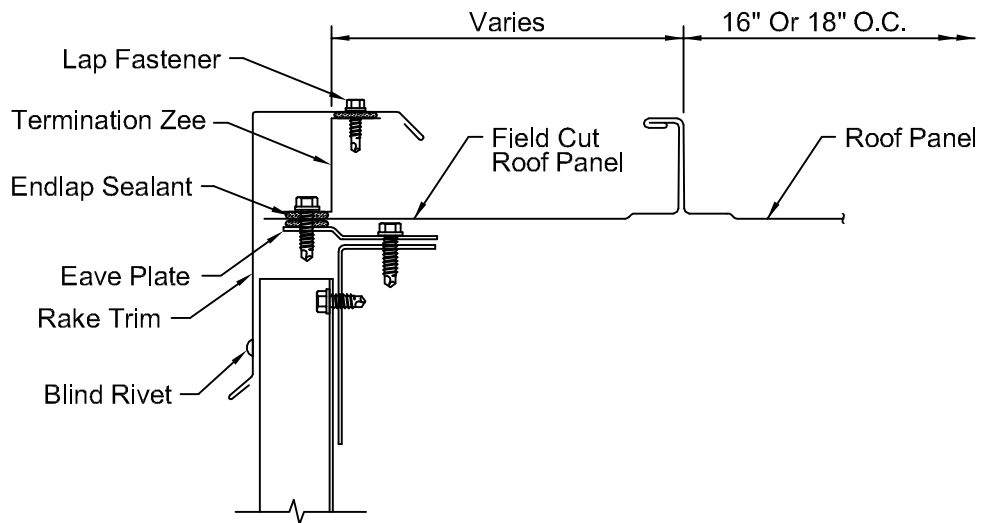
BigbeeVR Roof System Architectural Details

PAGE: 16
REVISION NO: 2
DATE: July 2009



* *Determined By Manufacturer*

**Starting Rake Shown
Finish Rake Similar**



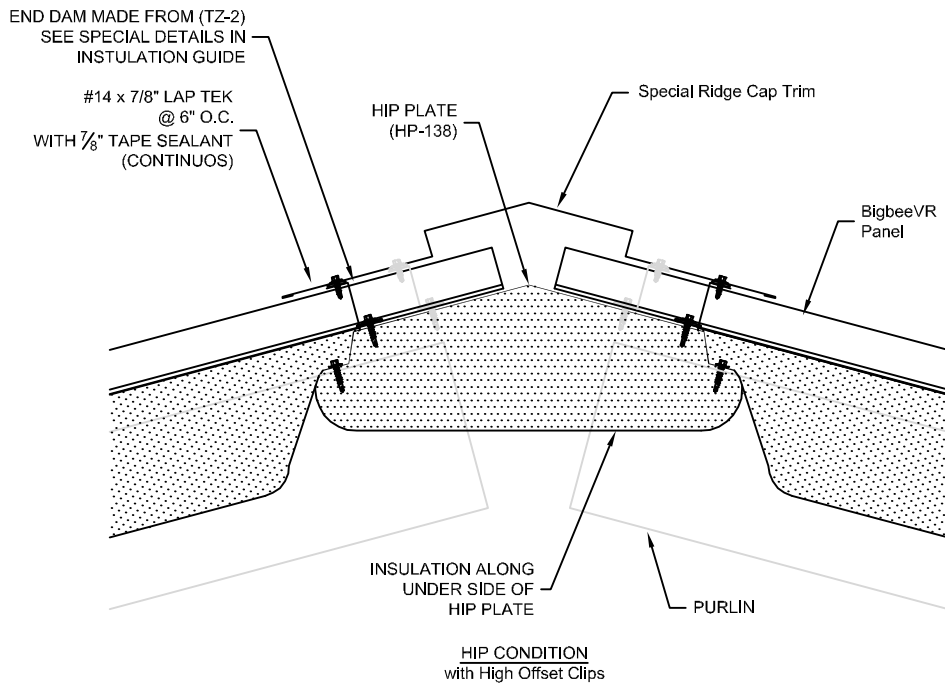
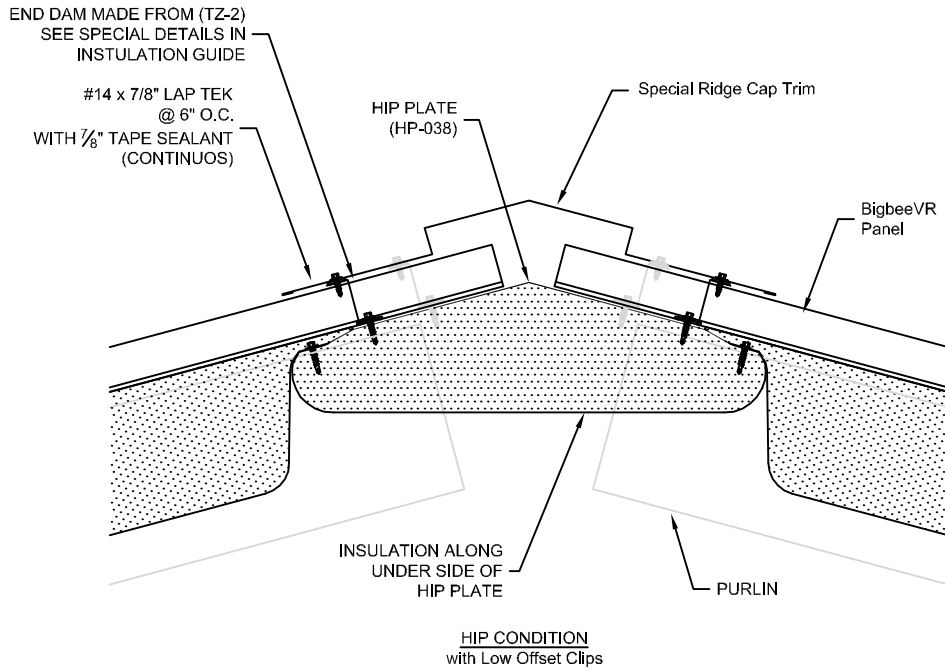
**Alternate
Field Cut Roof Panel**

Architectural

Rake Section



BigbeeVR Roof System Architectural Details

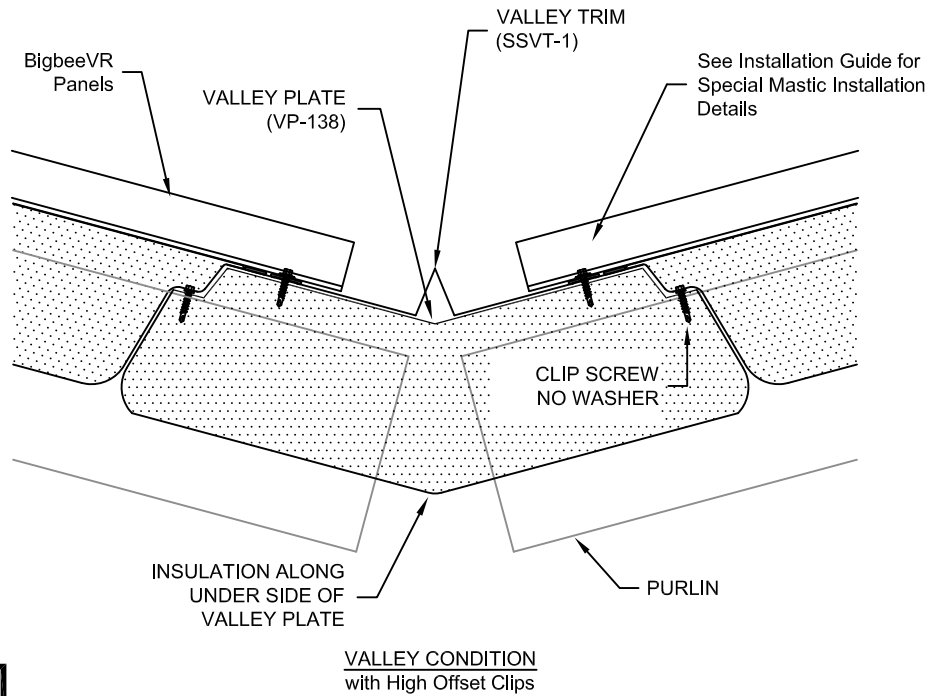
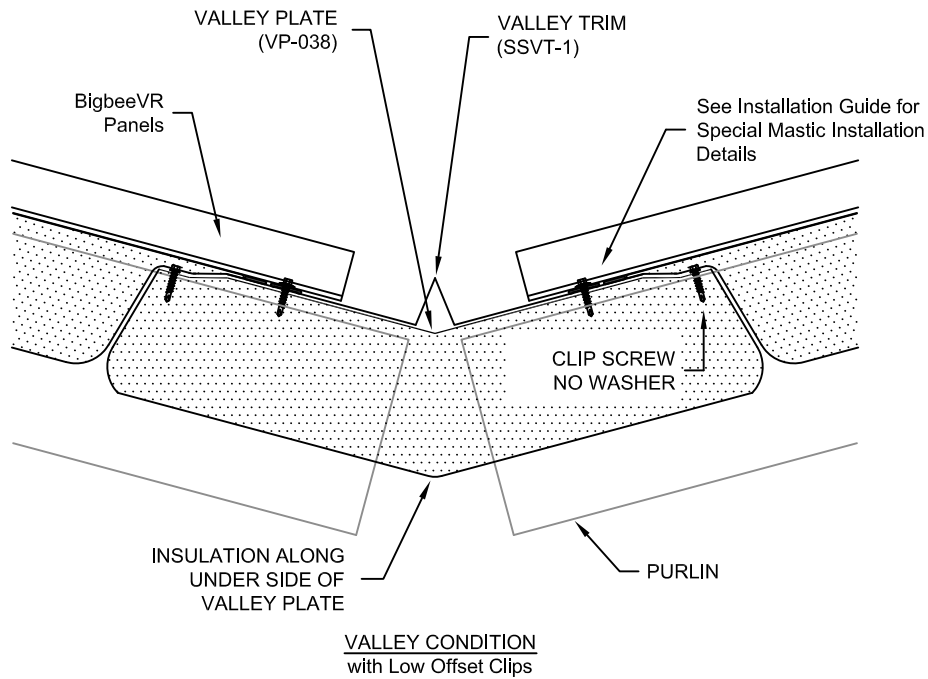


Architectural

Hip Section



BigbeeVR Roof System Architectural Details



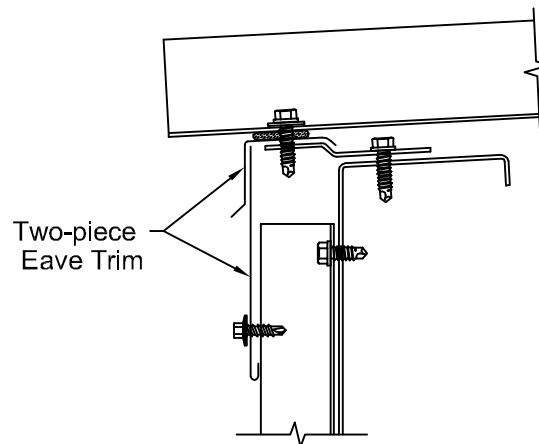
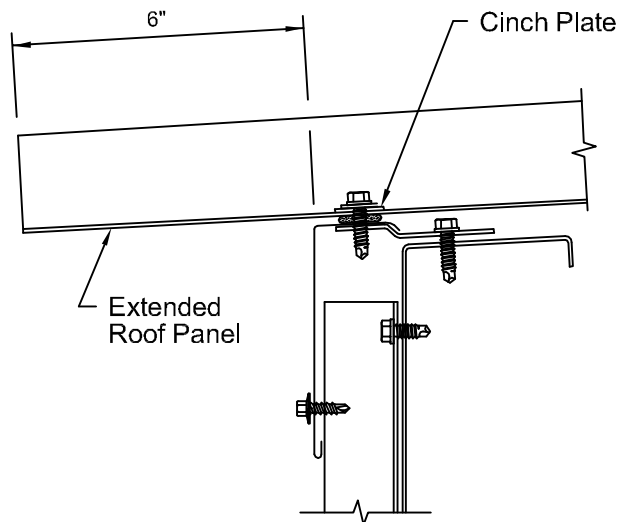
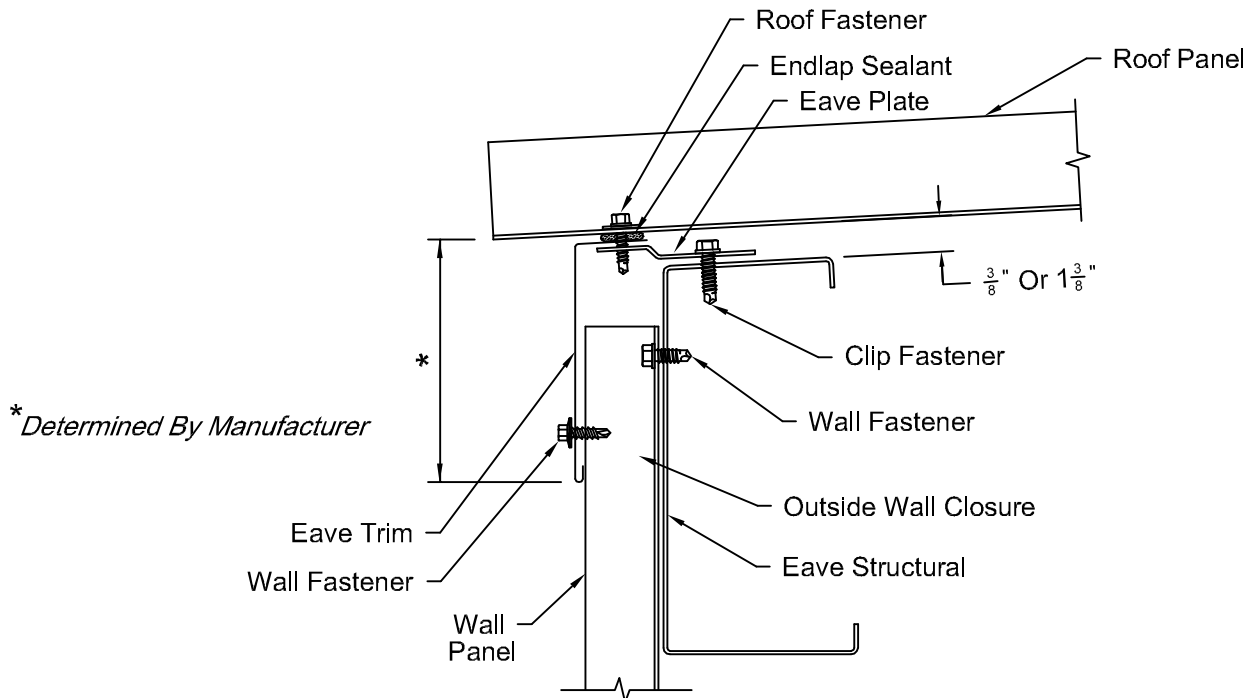
Architectural

Valley Section



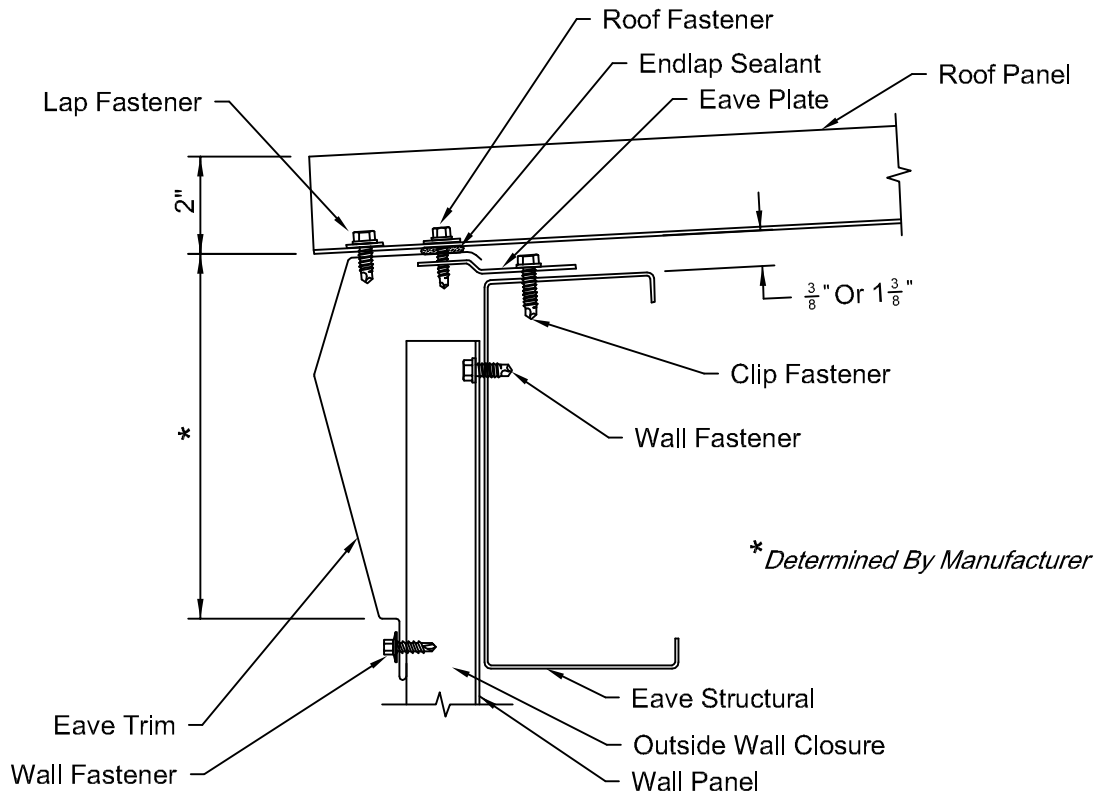
BigbeeVR Roof System Architectural Details

PAGE: 19
REVISION NO: 2
DATE: July 2009

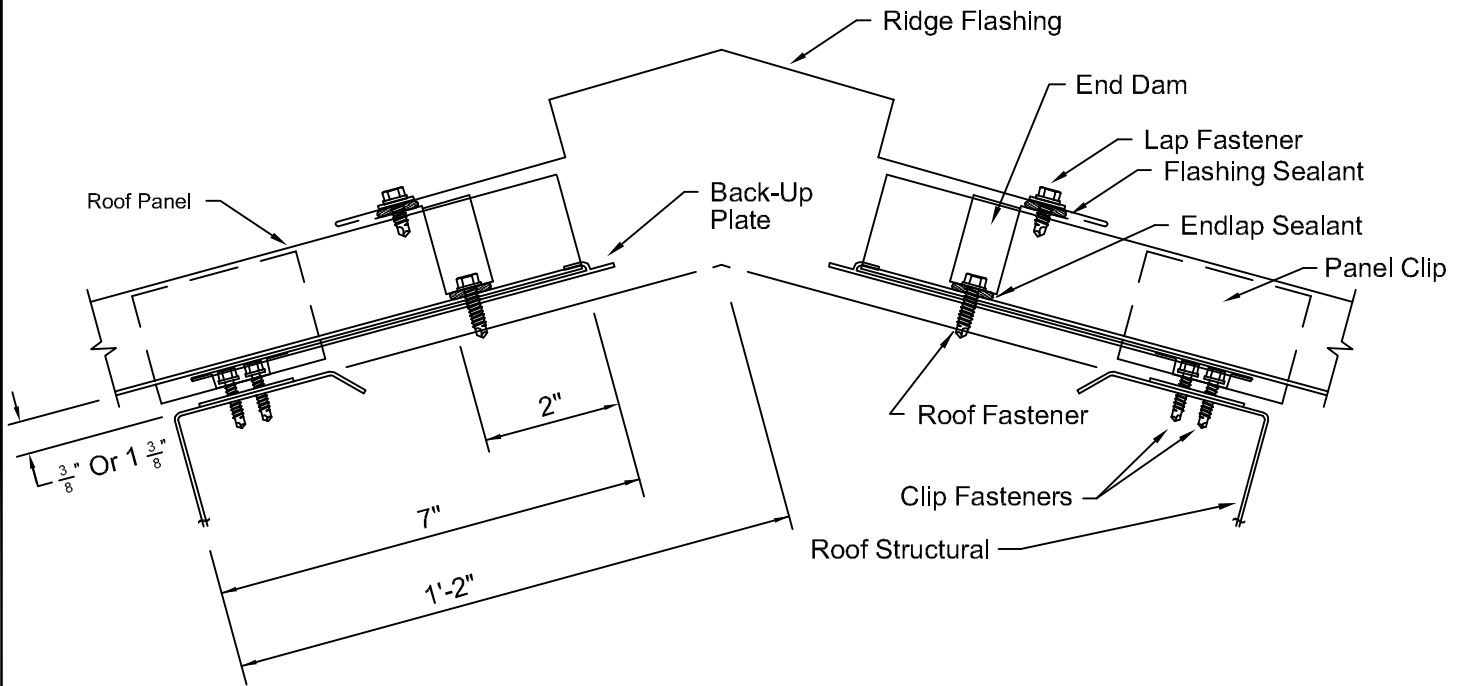


Alternate
Two Part Eave Trim
(To Allow Installation Of Wall
Panel After Roof Is In Place)

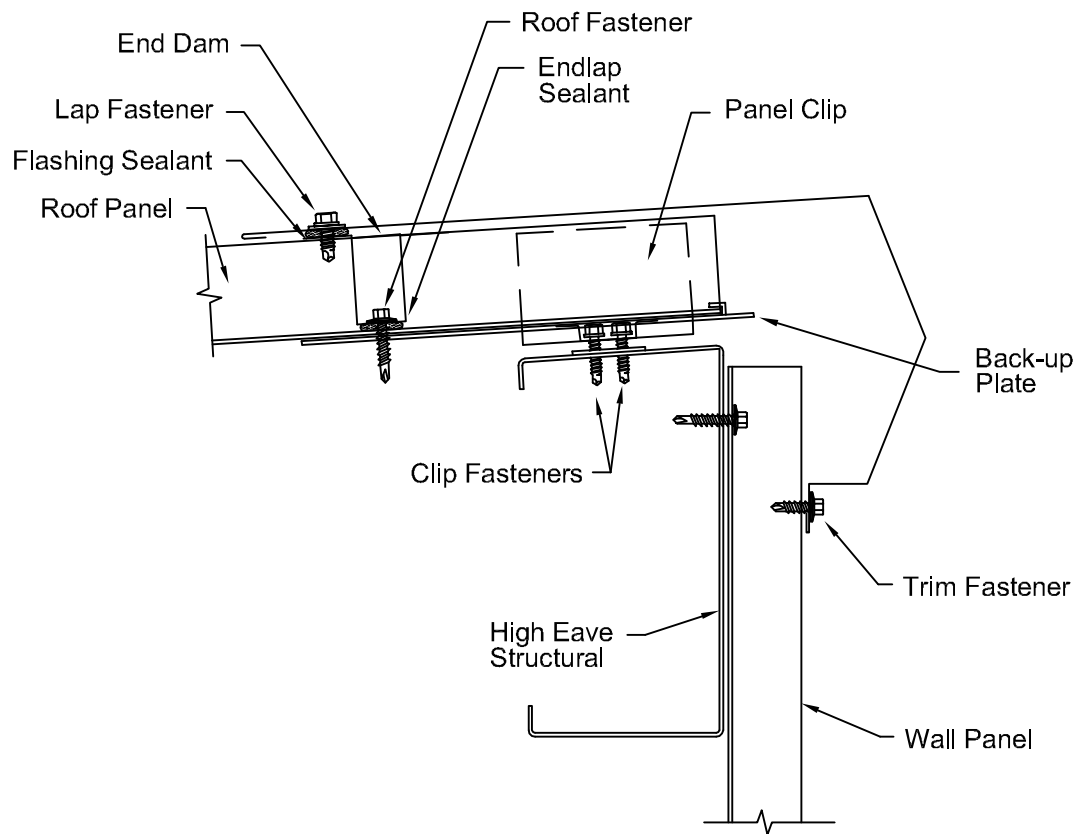
Eave Section - Eave Trim



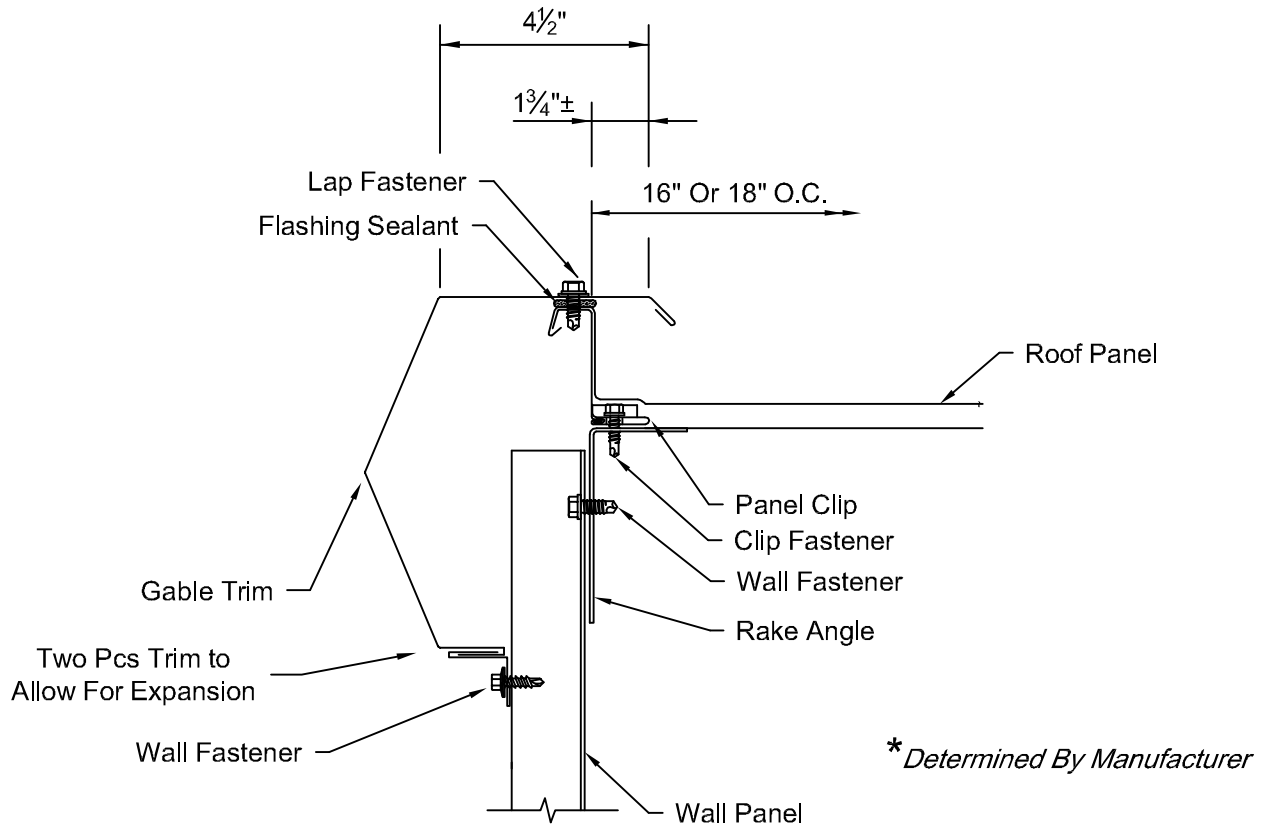
Eave Section - Sculptured Eave Trim



Ridge Section



High Eave Section

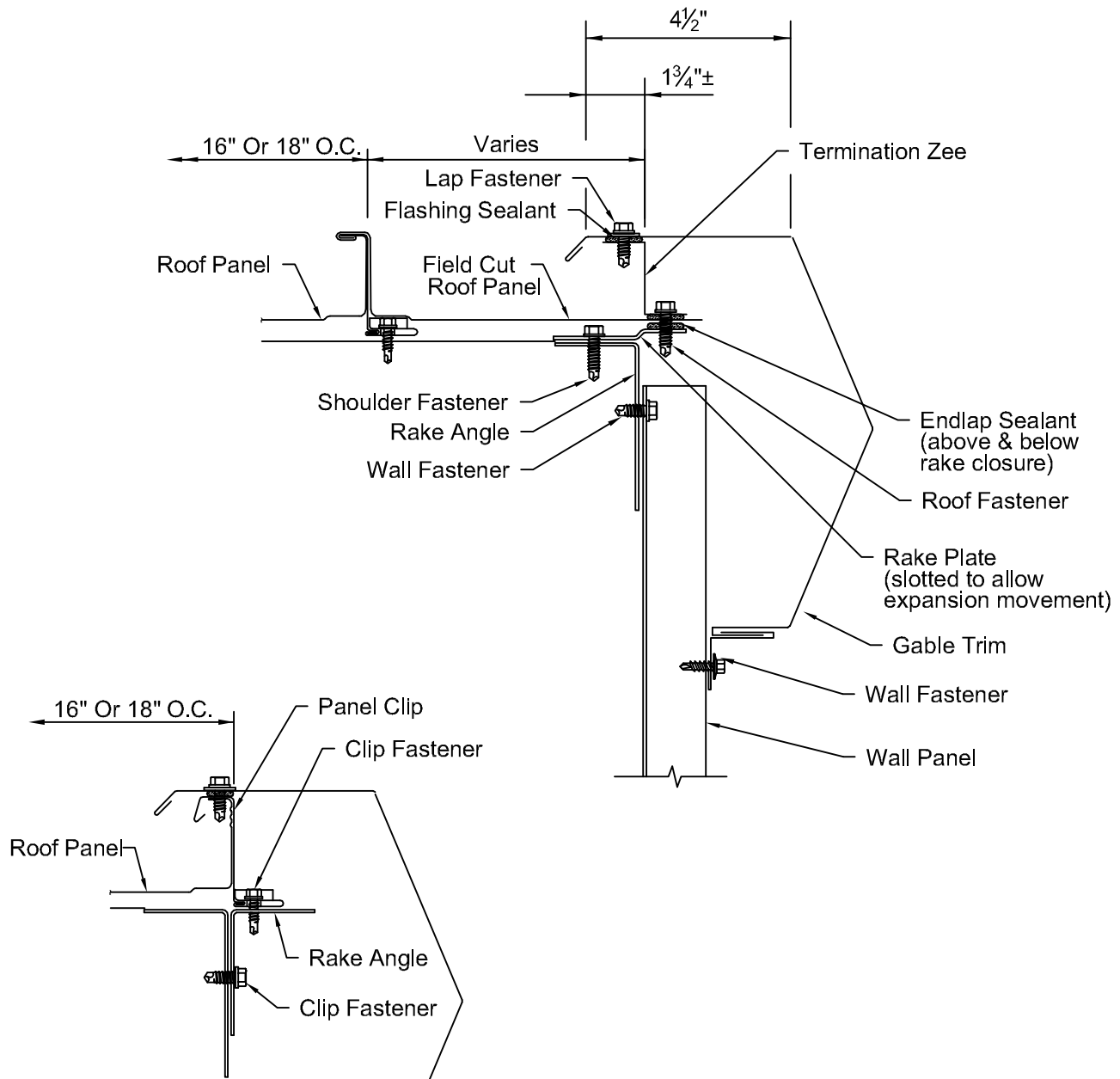


Rake Section - Starting Rake



BigbeeVR Roof System Architectural Details

PAGE: 25
REVISION NO: 2
DATE: July 2009

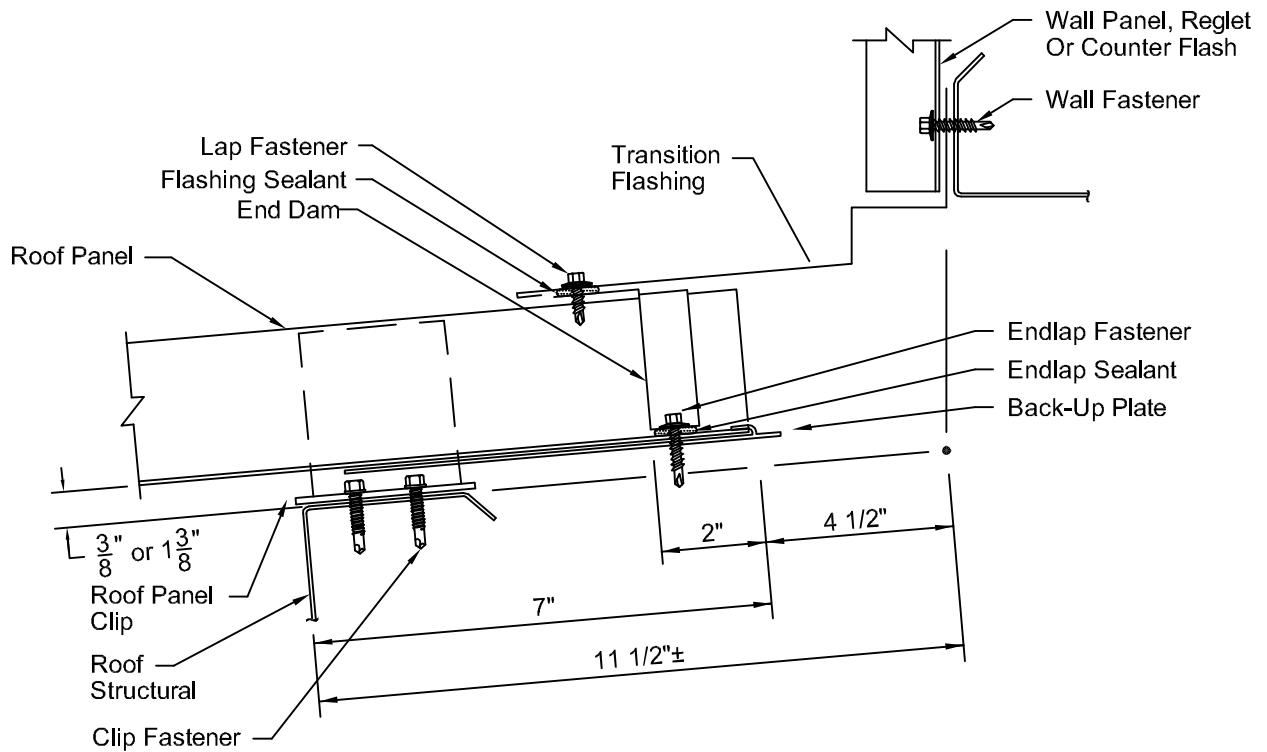


Alternate
Attachment To Roof Panel Seam

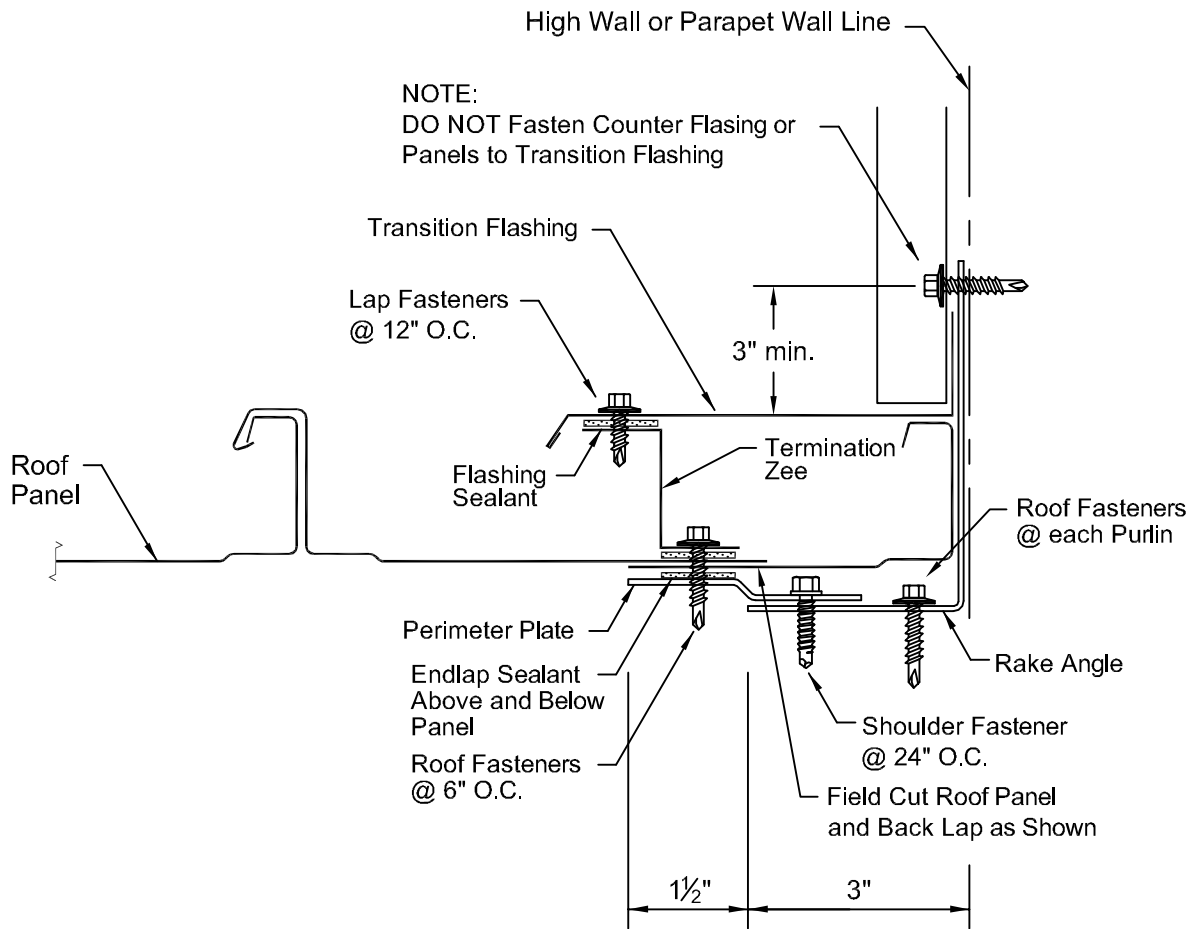
Rake Section - Finish Rake



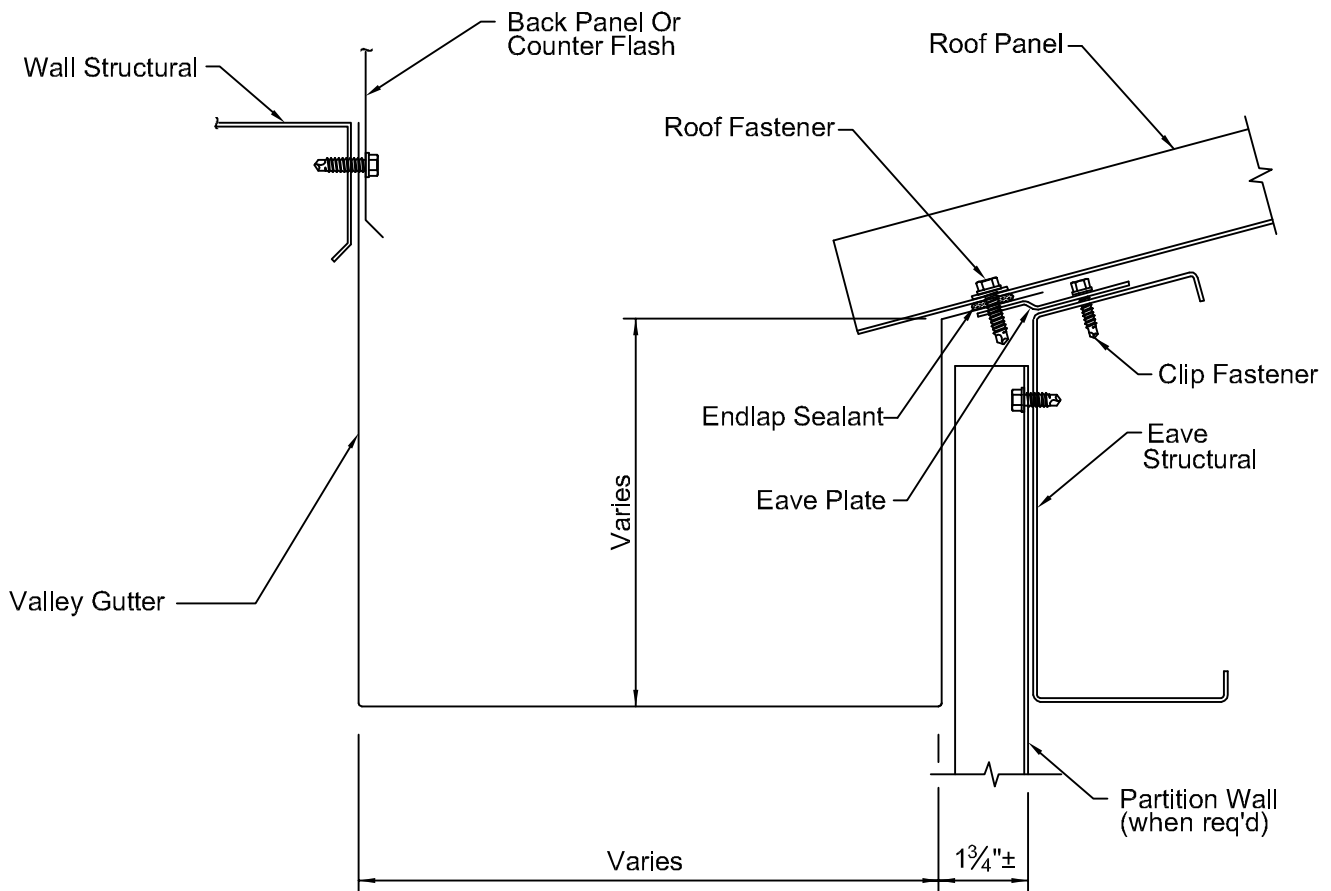
Note: For Clarity Of Detail,
Roof Insulation Is Not Shown



Transition Section - High Eave

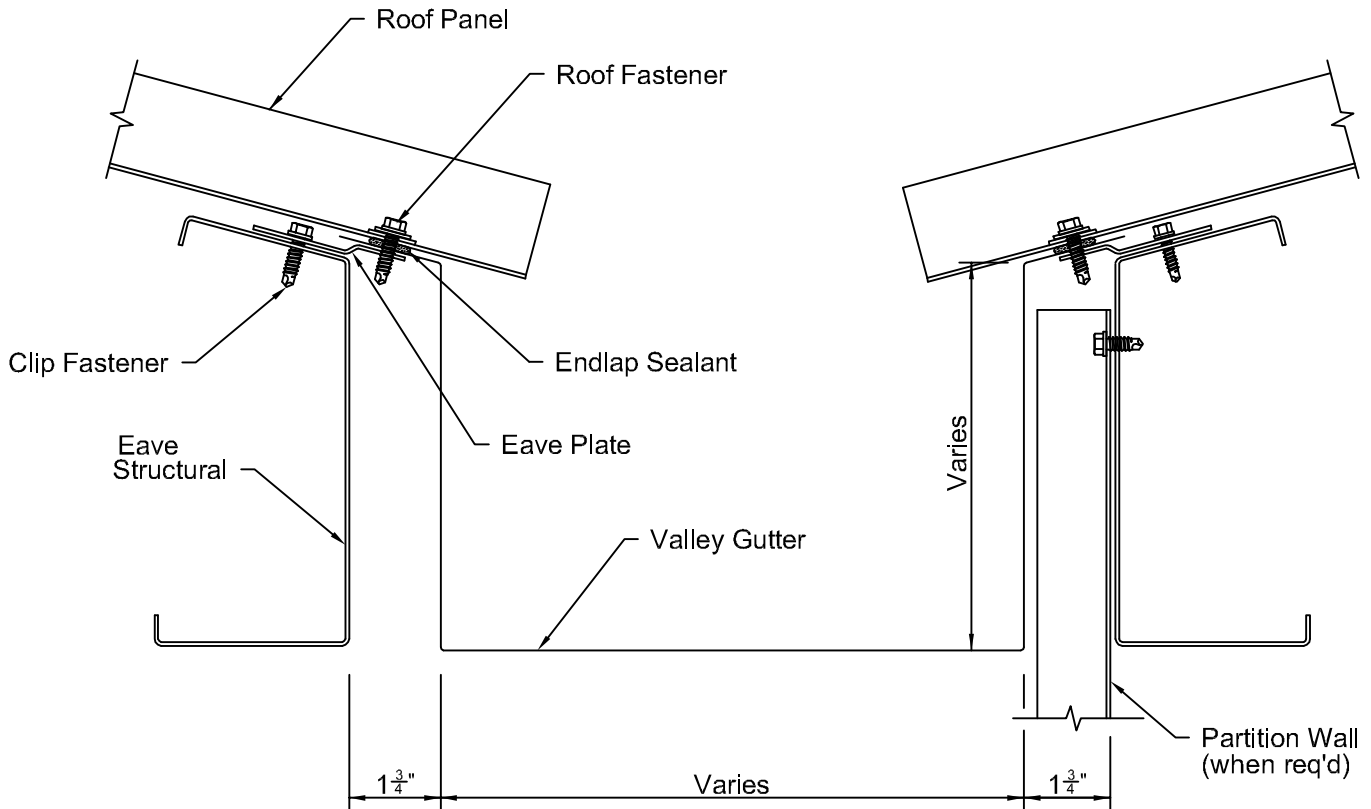


Transition Section-Starting Rake



CAUTION
Interior Gutter Must Be Provided
With Protection From
Corrosion, Icing, Damming &
Interior Condensation

Interior Gutter Section



CAUTION
Interior Gutter Must Be Provided
With Protection From
Corrosion, Icing, Damming &
Interior Condensation

Valley Gutter Section